

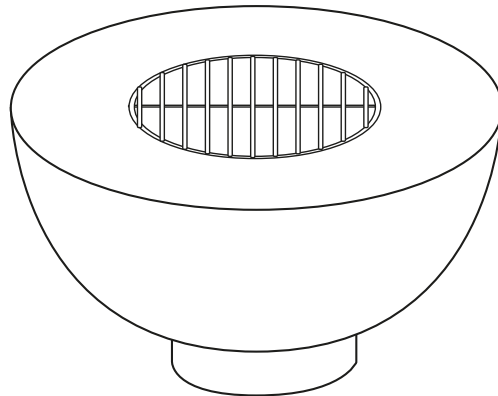


FIREBOWL WITH GRILL AND PLANCHA

GYSTAD



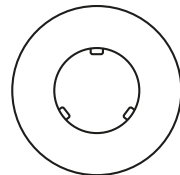
MANUAL



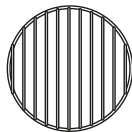
A Firebowl



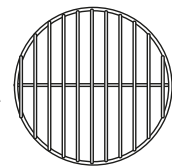
B Plancha



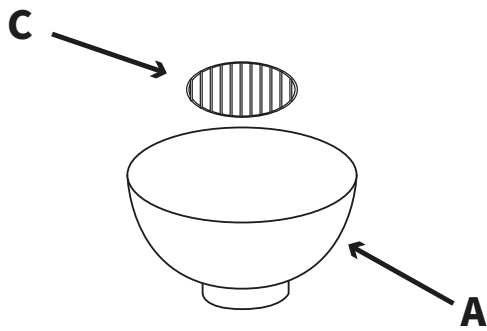
C Charcoal rack



D Cooking grill

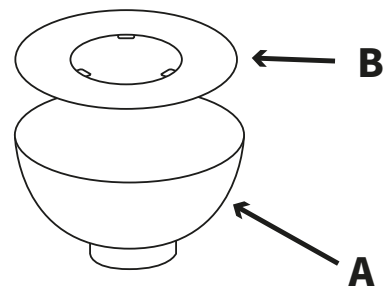


Step 1

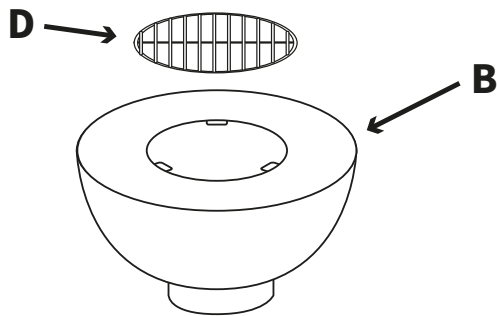


First put the charcoal rack (C) into the firebowl (A).

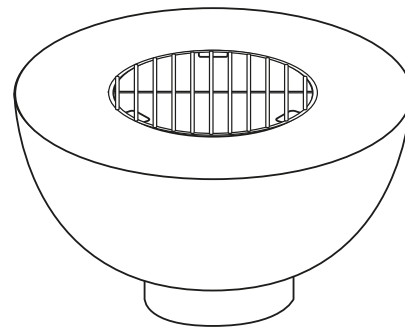
Step 2



Then put the plancha (B) on the firebowl (A).



Put the cooking grill (D) on the plancha (B).



Now you can enjoy the BBQ.
