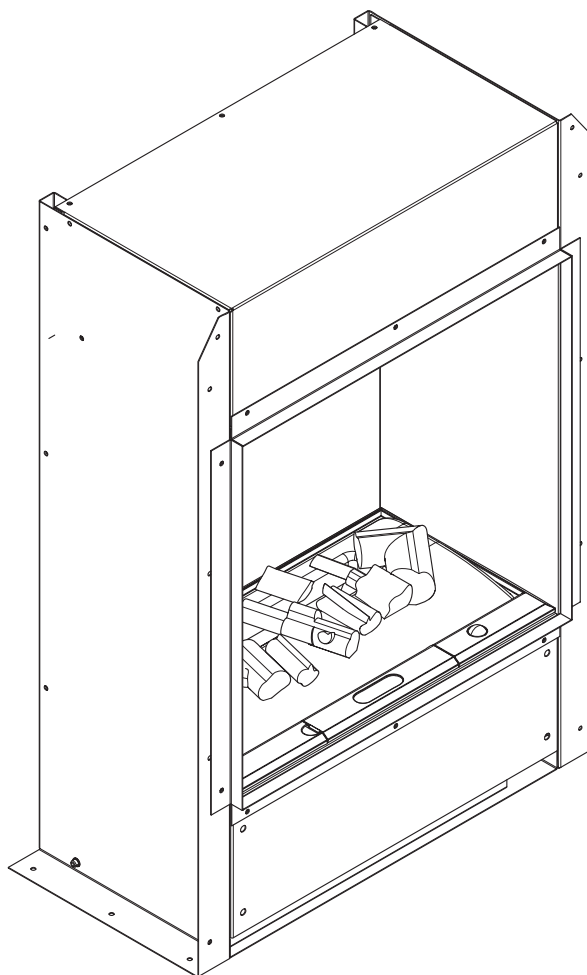


Dimplex

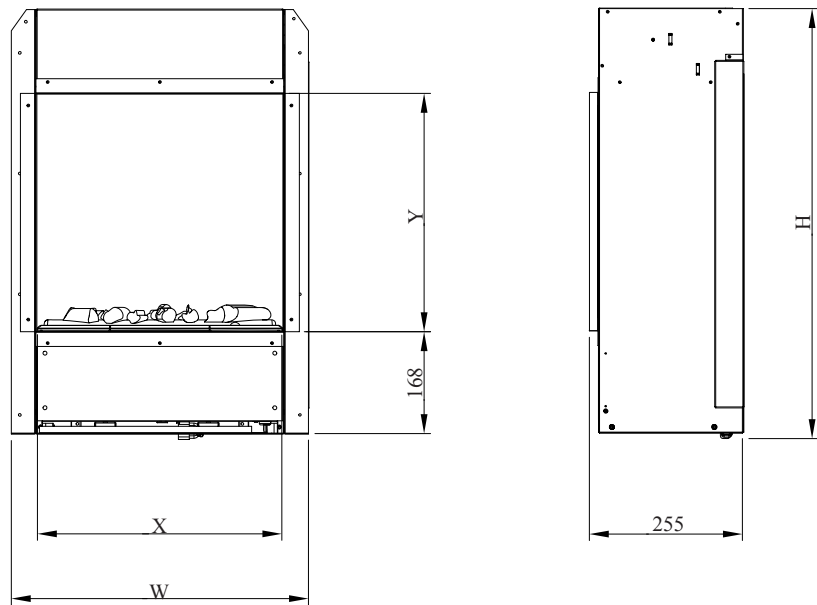


Pro Range ENG56-400, ENG68-400, ENG56-600



08/51807/0 Issue 6
OCN 10670

Fig. 1



MODEL	'H'	'W'	'X'	'Y'
ENG56-400	700mm	490mm	413mm	395mm
ENG68-400	823mm	490mm	413mm	517mm
ENG56-600	700mm	646mm	569mm	395mm

Fig. 2

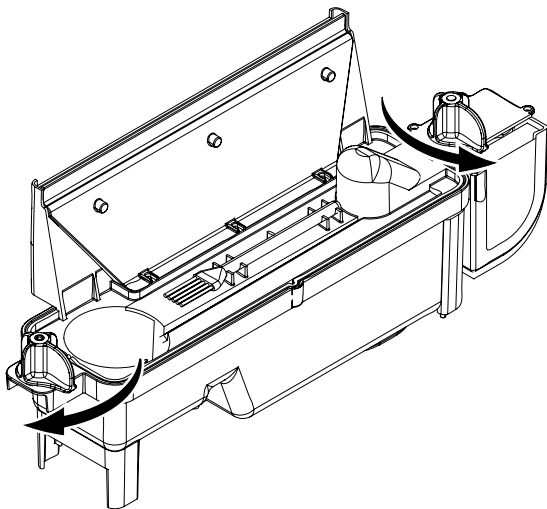


Fig. 3

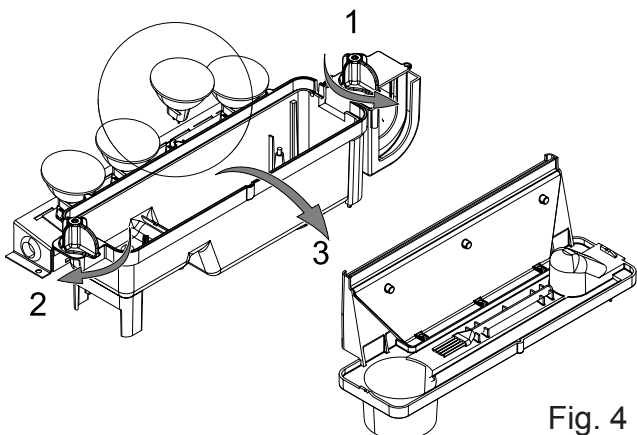
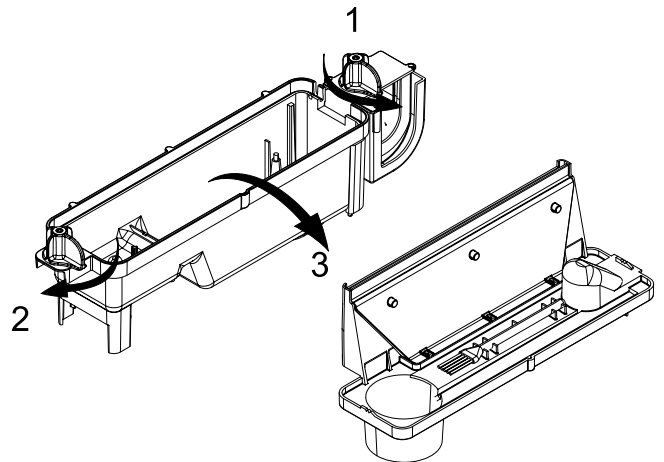


Fig. 4

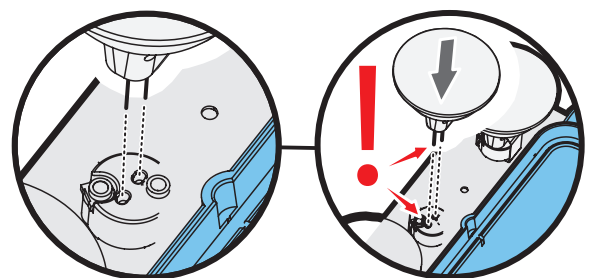


Fig. 4a

Fig. 5

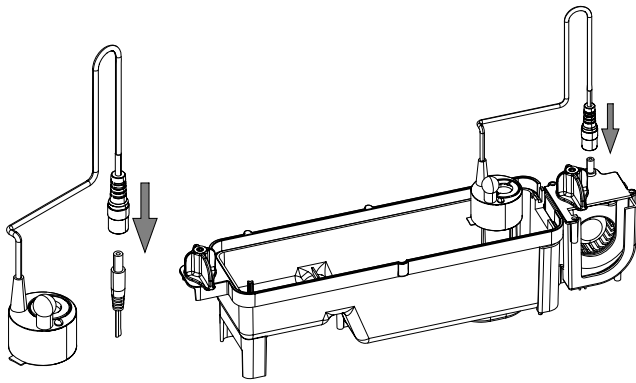


Fig. 5a

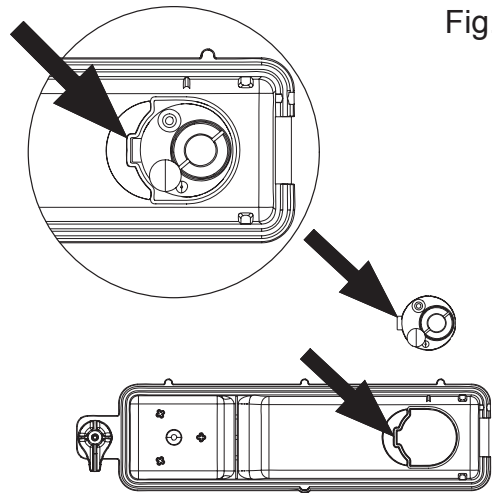


Fig. 5b

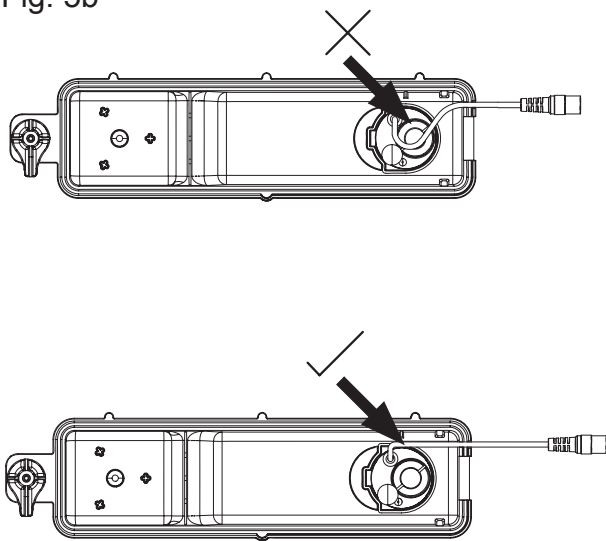


Fig. 6

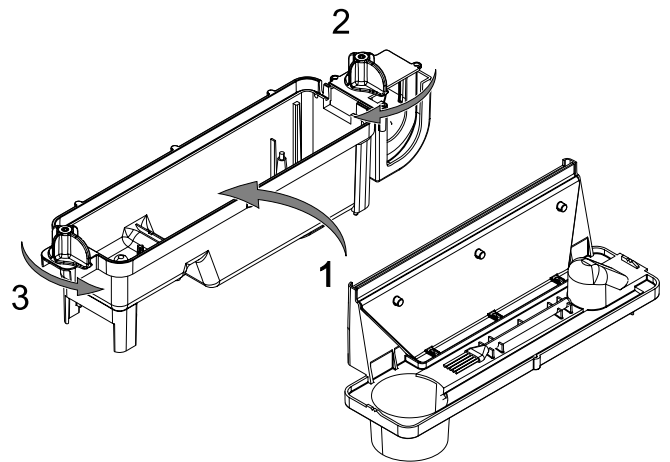


Fig. 7

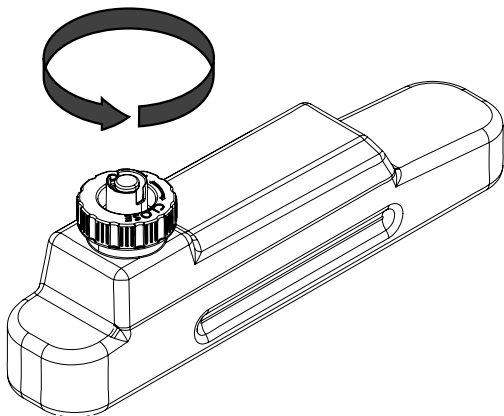


Fig. 8

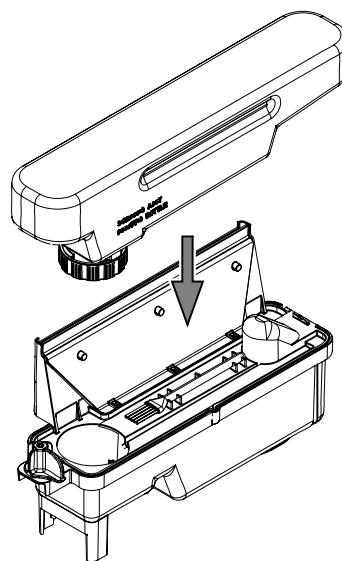


Fig. 9

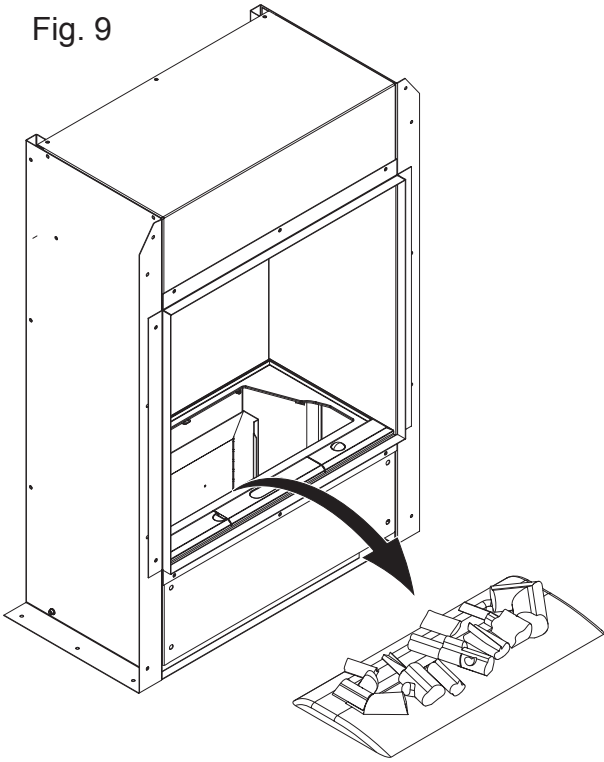


Fig. 10

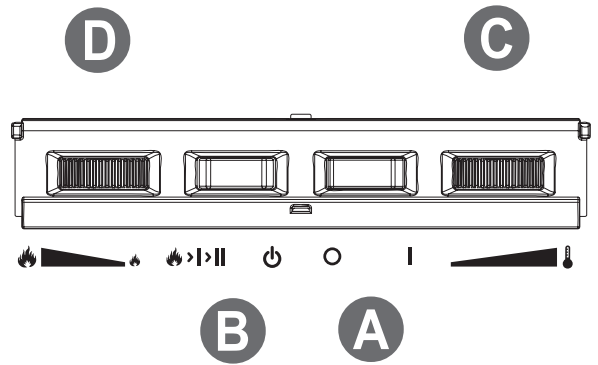


Fig. 11

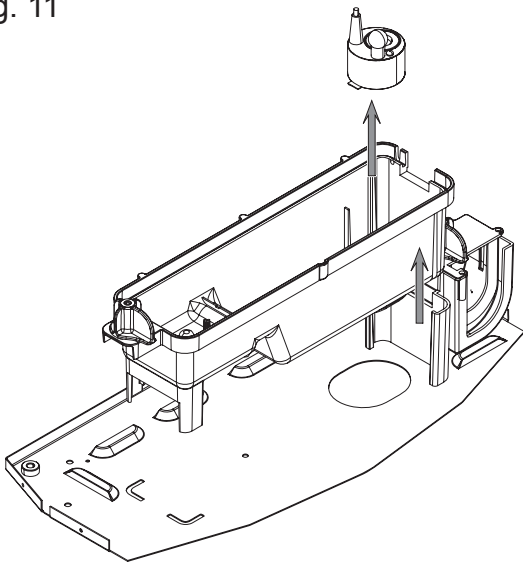


Fig. 12

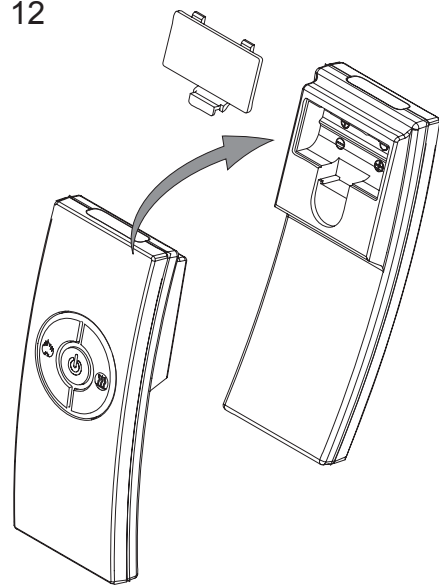


Fig. 13

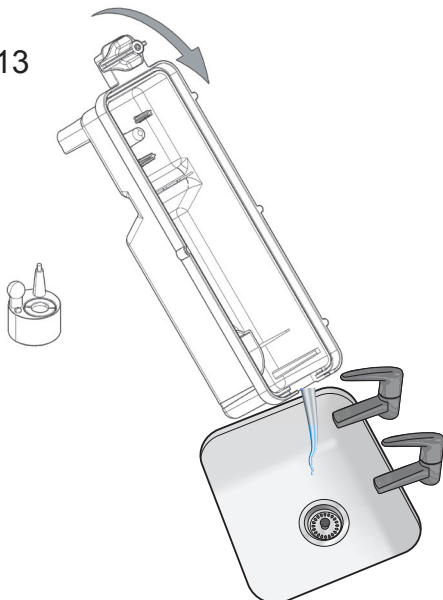


Fig. 14

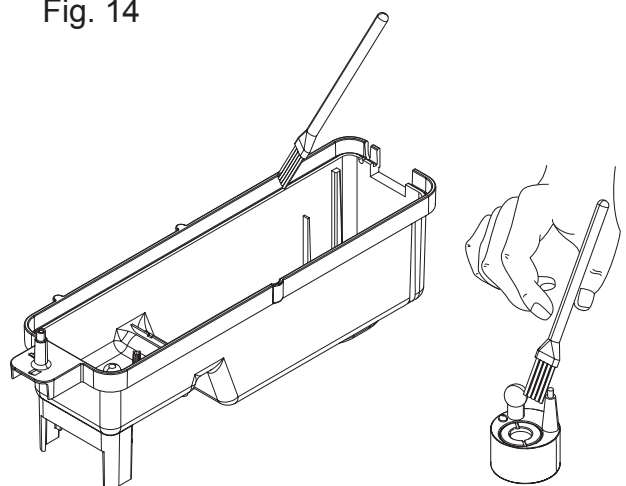


Fig. 15

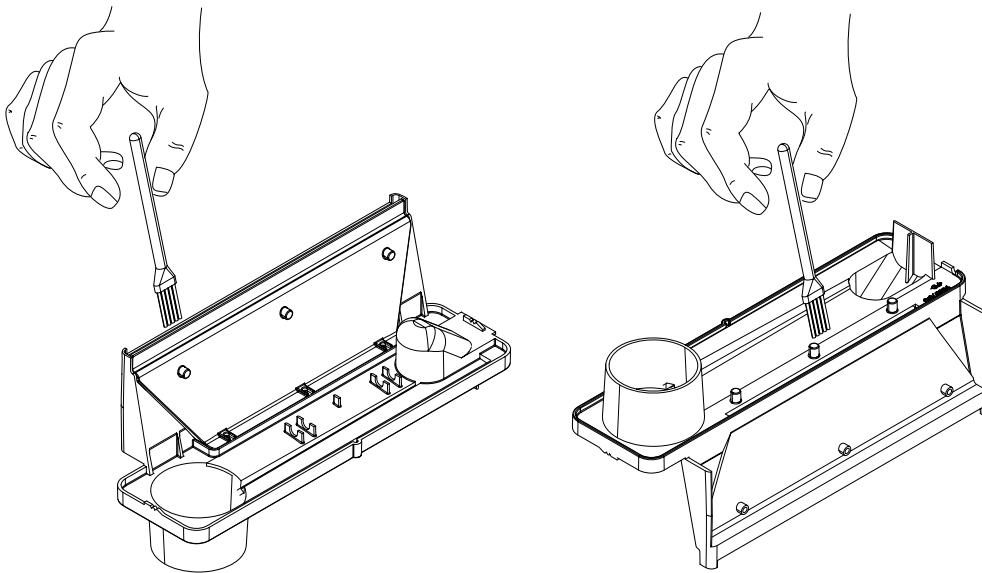


Fig. 16

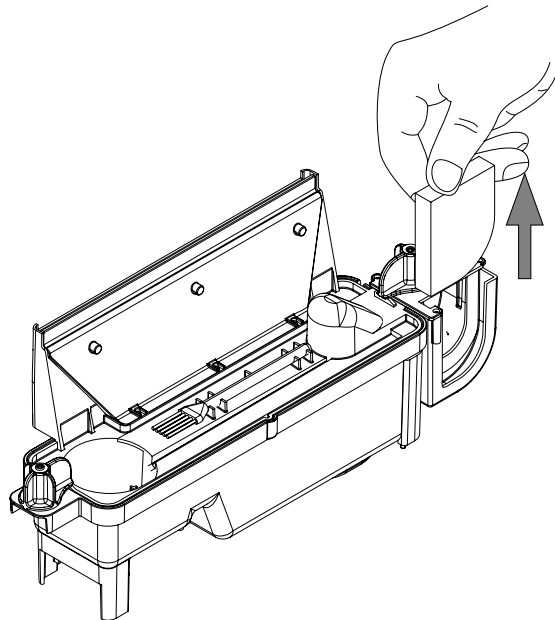
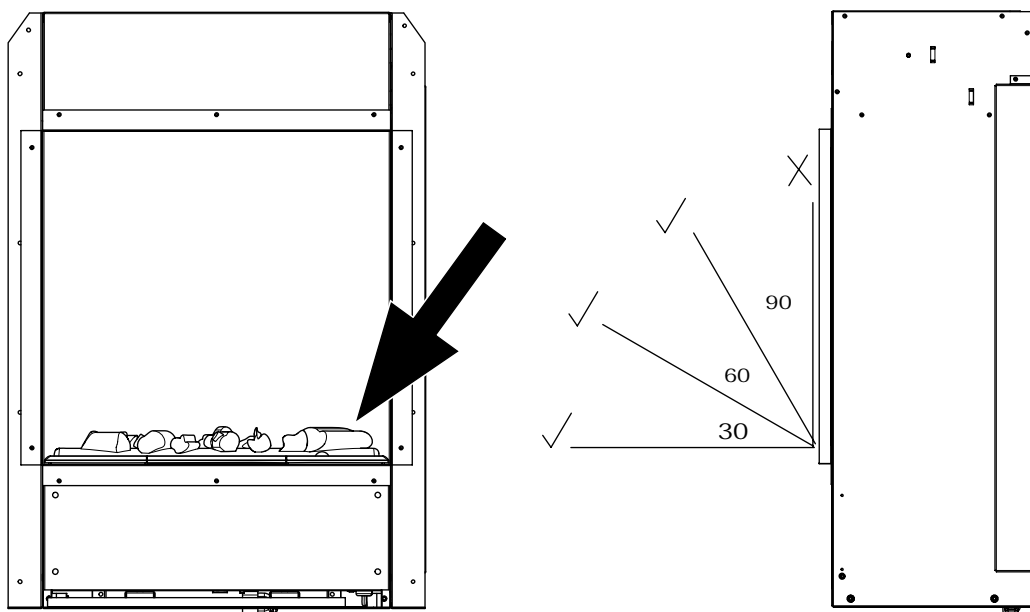


Fig. 17



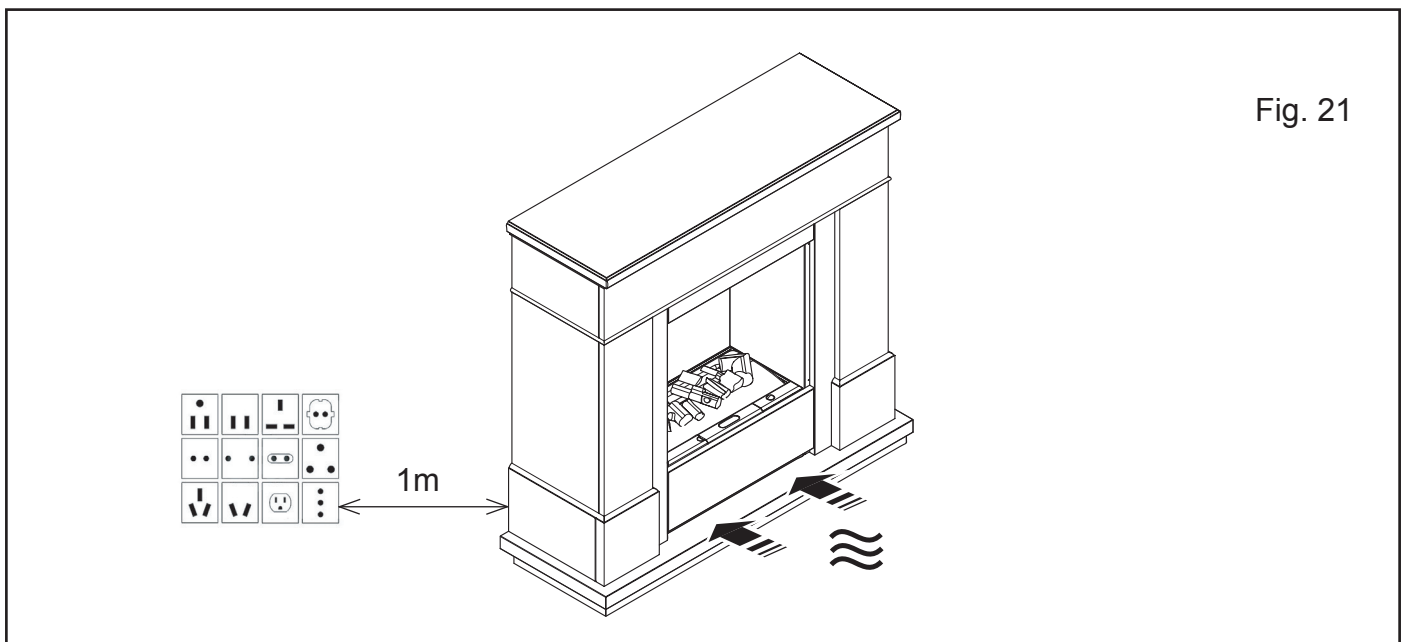
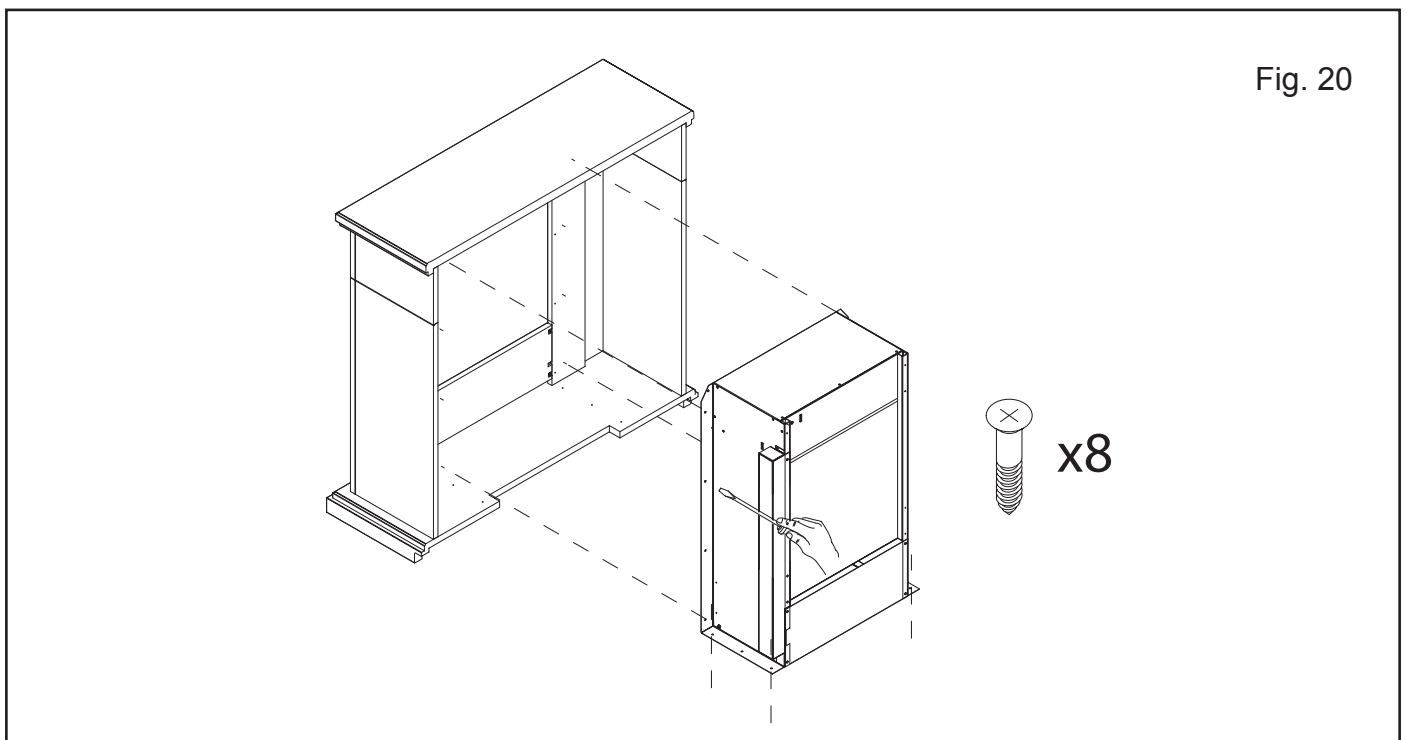
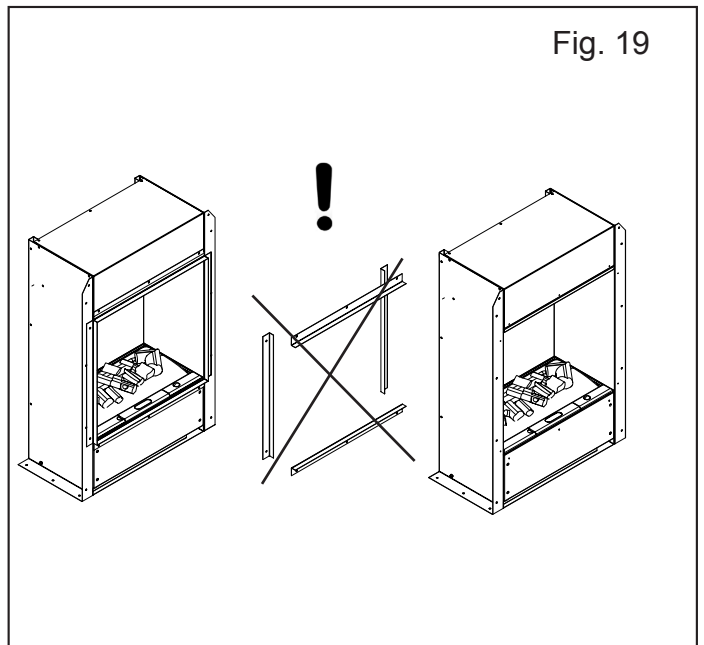
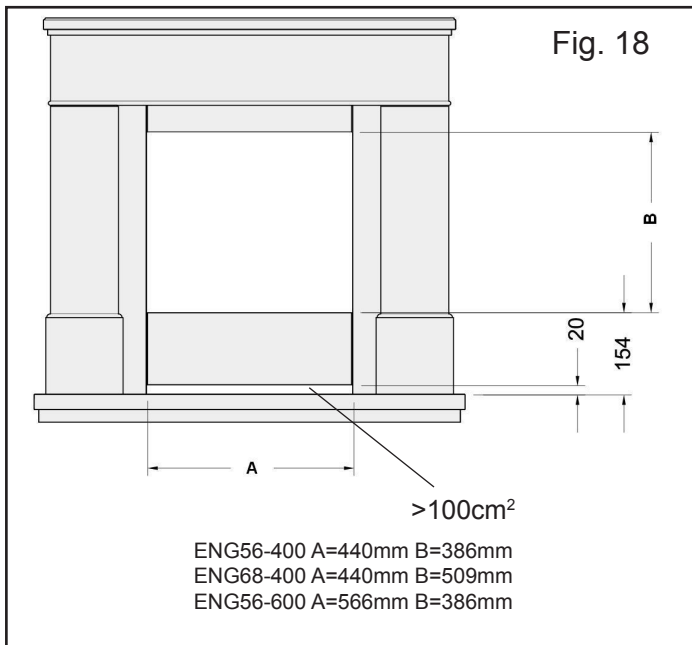


Fig. 22

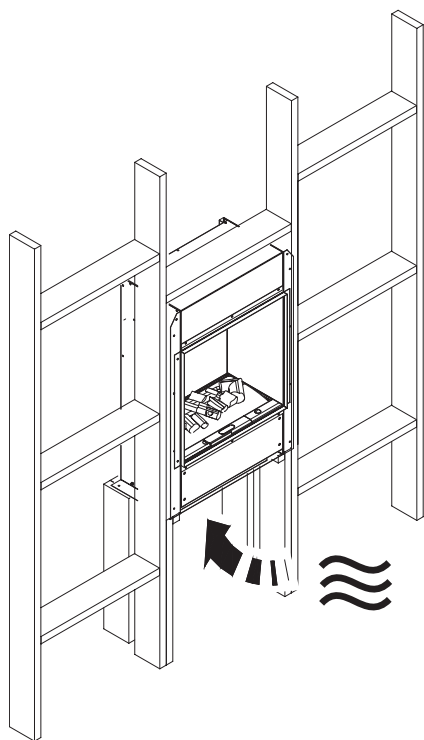
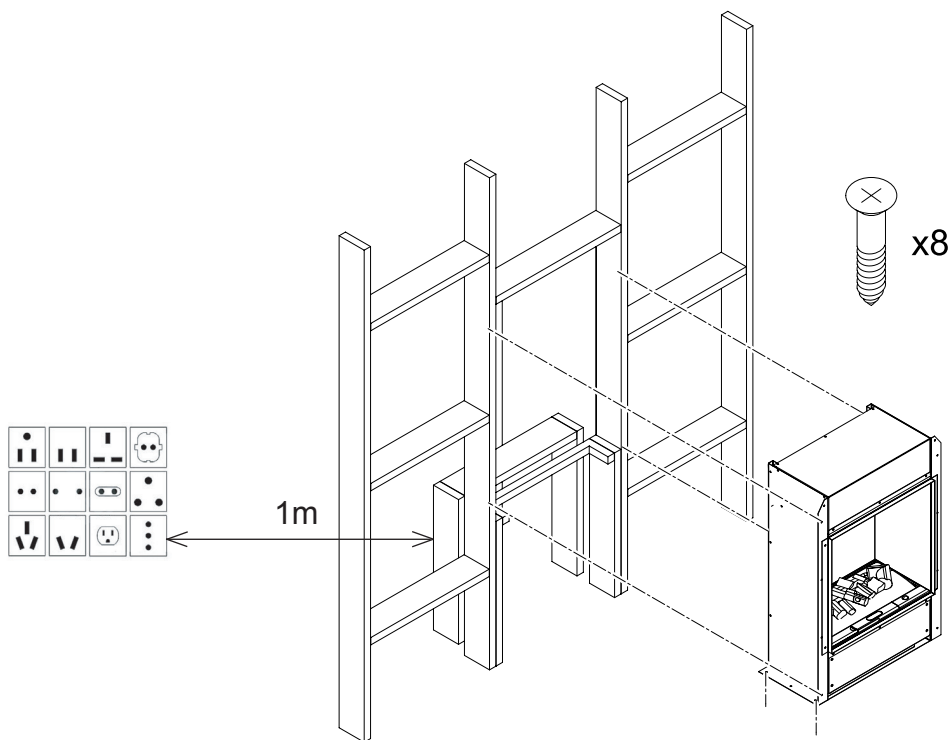


Fig. 22

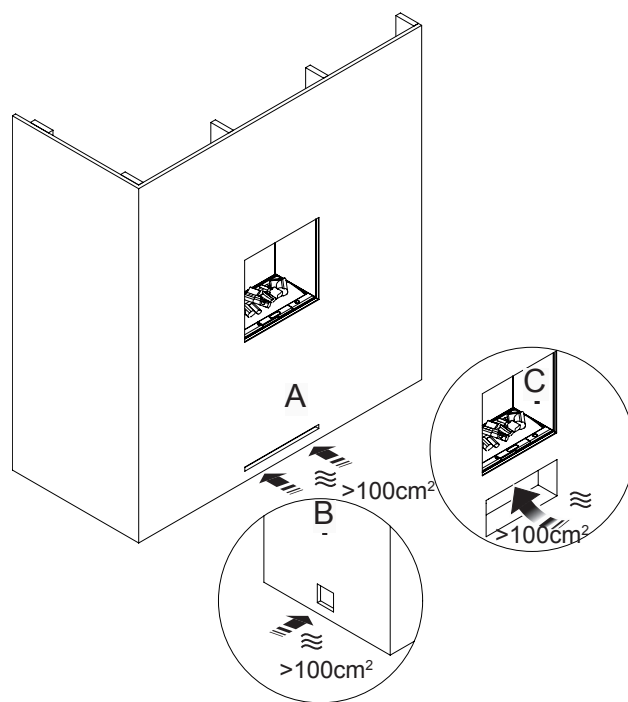


Fig. 23

UK	1
DE	7
FR	13
ES	19
PT	25
IT	31
NL	37
DK	43

Introduction

Please read this information guide carefully to be able to safely install, use and maintain your product.

Important Safety Advice

When using electrical appliances, basic precautions should always be followed to reduce the risk of fire, electrical shock and injury to persons, including the following:

1. WARNING



Do not place material or garments on, or obstruct the air circulation around the appliance. The appliance carries the Warning symbol indicating that it must not be covered.

2. DAMAGE

If the appliance is damaged, check with the supplier before installation and operation.

If the supply cord is damaged it must be replaced by the manufacturer or service agent or a similarly qualified person in order to avoid a hazard.

3. LOCATION

Do not use outdoors.

Do not use in the immediate surroundings of a bath, shower or swimming pool.

Do not locate the fire immediately below a fixed socket outlet or connection box.

Ensure that furniture, curtains or other combustible material are positioned no closer than 1 metre from the appliance.

4. PLUG POSITIONING

The appliance must be positioned so that the plug is accessible.

Keep the supply cord away from the front of the appliance.

5. UNPLUGGING

In the event of a fault unplug the device.

Unplug the device when not required for long periods.

6. OWNER/USER

This appliance can be used by children aged from 8 years and above and persons with reduced physical, sensory or mental capabilities or lack of experience and knowledge if they have been given supervision or instruction concerning use of the appliance in a safe way and understand the hazards involved. Children shall not play with the appliance. Cleaning and user maintenance shall not be made by Children without supervision.

Children of less than 3 years should be kept away unless continuously supervised. Children aged from 3 years and less than 8 years shall only switch on/off the appliance provided that it has been placed or installed in its intended normal operating position and they have been given supervision or instruction concerning use of the appliance in a safe way and understanding the hazards involved. Children aged from 3 years and less than 8 years shall not plug in, regulate and clean the appliance or perform user maintenance.

7. ELECTRICITY

WARNING – THIS APPLIANCE MUST BE EARTHED.

This appliance must be used on an AC ~ supply only and the voltage marked on the appliance must correspond to the supply voltage. Before switching on, please read the safety advice and operating instructions.

CAUTION — Some parts of this product can become very hot and cause burns. Particular attention

has to be given where children and vulnerable people are present.

WARNING - In order to avoid overheating, do not cover the appliance

General Information

Only use filtered water in this appliance.

Always ensure that the appliance is sitting on a level surface.

Although this heater complies with safety standards, we do not recommend its use on deep pile carpets or on long hair type of rugs.

Please note: Used in an environment where background noise is very low, it may be possible to hear a sound which is related to the operation of the flame effect. This is normal and should not be a cause for concern.

If this product experiences a power surge for whatever reason the product may cut-out. This is a normal safety feature and the product will resume operation after 30 seconds.

Once installed, never move this appliance or lay on its back, without draining the water from sump and water tank. If you intend not using the appliance for longer than 2 weeks, drain the water from sump and water tank and dry the sump.

The water tank, sump, sump lid, tank cap and air filters must be cleaned once every two weeks, particularly in hard water areas.

The appliance should never be operated if the lamps are not working.

The lamps should be regularly inspected as described under 'Maintenance' and 'Changing lamps'.

Installation Instructions

This section describes how to set up your fire.

BEFORE YOU START

1. Ensure that all packing items are removed (read any warning labels carefully) and retain all packing for possible future use e.g. in the event of moving house or returning the appliance to your supplier.
2. Before connecting the appliance, check that the supply voltage is the same as that stated on the heater.

Installation into a Fireplace Mantle

1. When installing this appliance into a fireplace mantle please ensure that you choose a mantle suitable for your appliance (Fig 18). **There is to be an air vent at the front of the fireplace mantle of at least 88cm². It is essential to ensure that air can circulate into the appliance – otherwise the Opti-myst flame effect will not operate correctly. This pathway for air must not be obstructed**
2. Remove the 4 spacing brackets on the front of the appliance (Fig 19)
3. Slide the appliance into the fireplace mantle fully from the back ensuring that it is sitting in the center of the mantle. Using suitable screws (not supplied) screw fix the appliance in place (Fig 20)
4. Be sure to position the fireplace within 1m of a power outlet (Fig 21)

Installation into a wall or recess cavity

1. Note the product dimensions in Fig 1 and build a suitable structure for the appliance to fit into within 1m of a power outlet (Fig22). Using suitable screws (not supplied) screw fix the appliance in place
2. Note the venting slots in the appliance. There are located at the front base and under the appliance
3. Build the wall up against the appliance using the spacing brackets as a guide.
4. **There is to be an air vent at the front of the structure of at least 88cm². It is essential to ensure that air can circulate into the appliance – otherwise the Opti-myst flame effect will not operate correctly. This pathway for air must not be obstructed. For examples of air vents in a wall or recess cavity see Fig 23**

Connecting the Transducer Unit + Lamps

1. Release the two red tabs by turning them by 90 degrees (Fig 2)
2. Lift out the Sump Nozzle (Fig 3)
3. Insert lamps into lamp holders (Fig 4), carefully locating the pins into the holes (Fig 4a)
4. Push lamps firmly into place
5. Place the Transducer Unit into the sump and join the cable to the connector on the sump (Fig 5)
6. To ensure that the Transducer Unit is correctly placed in the sump, the tab on the Transducer Unit should be lined up with the moulded recess in the sump (Fig 5a).
7. Ensure that the cable is not placed above the disc on the Transducer Unit (Fig 5b). To prevent the cable becoming pinched between the nozzle and the sump, place the cable in the slot in the wall of the sump.
8. Replace the Sump Nozzle and secure it by turning the two red tabs by 90 degrees (Fig 6)

Filling the Water Tank

9. Place Water Tank in sink and remove cap (turn anti-clockwise to open) (Fig 7)
10. Fill Water Tank with **filtered tap water only**. This is necessary to prolong the life of the flame and smoke

producing unit. The water should be filtered through a conventional domestic water filter unit and the filter should be replaced regularly. Distilled water must **not** be used.

11. Screw the cap back on – **do not overtighten**.

12. Place the Water Tank in the Sump, with the tank cap facing down and the flat side of the tank facing outward (Fig 8)

Assembling the fire

13. Place the Fuelbed on top of the Water Tank and Mist Nozzle (Fig 9)

Operating the Fire


This section describes how to activate your fire using either the manual controls or remote control.

MANUAL CONTROLS


The manual controls are located beneath the hinged flap. (Fig.10 for Manual Control lay out)


Switch 'A':- Controls the electricity supply to the Fire.

Note: This switch must be in the 'ON' (I) position for the Fire to operate either with or without heat.

Switch 'B':- Press  once to turn on the flame effect. This will be indicated by an audible beep. Although the main lights operate immediately it will take a further 30 seconds before the flame effect starts.

Press  again to give flame effect and half heat. This will be indicated by two beeps.

Press  again to give flame effect and full heat. This will be indicated by three beeps.

Press  again to return to flame effect only. This will be indicated by one beep.

Press  to put fire in to standby mode. This will be indicated by one beep.

Control Knob 'C':- Controls the Thermostat setting.

Turning the control knob to the left will decrease the temperature setting, turning the control knob to the right will increase the temperature setting.

Control Knob 'D':- Controls the intensity of the flame effect.

Turning the control knob to the left increases the flame effect, turning the control knob to the right will decrease the flame effect.

SETTING THE THERMOSTAT

Ensure the fire is plugged in and switch it on to the full heat setting. Turn the Control Knob 'C' fully to the right (max temperature setting) to warm the room rapidly. When the room temperature has reached the desired level, turn the thermostat knob back slowly until you hear the thermostat just click off. The heater will then maintain the room temperature at the chosen level.

Note: Should your heater fail to come on when the thermostat is at a low setting, this may be due to the room temperature being higher than the thermostat setting

THERMAL SAFETY CUT-OUT

A thermal safety cut-out is incorporated in the fan heater to prevent damage due to overheating. This can happen if the heat outlet was restricted in any way. If the cut-out operates, unplug the heater from the socket outlet and allow approximately 10 minutes before reconnecting. Before switching the heater back on remove any obstruction that may be restricting the heat outlet, then continue normal operation.

Caution: In order to avoid a hazard due to inadvertent resetting of the thermal cutout, this appliance must not be supplied through an external switching device, such as a timer, or connected to a switch that is regularly switched on and off by the utility.

GETTING THE DESIRED FLAME EFFECT

1. The flame control knob 'D' (Fig.10) may be turned up or down to give a more realistic effect.
2. Generally the flames appear more realistic when the flame control is turned down.
3. Give the flame generator time to react to changes you may make.
4. The fire will use less water if the flame effect is set to a lower level.
5. Do not tilt or move the fire while there is water in the tank or sump.
6. Make sure that the fire is on a level floor.

REMOTE CONTROL OPERATION

On the control panel, Switch A (Fig.10) must be in the 'ON' (I) position in order for the remote control to operate. There are 3 buttons on the remote control. (Fig.12) To operate correctly the remote must be pointed towards the front of the grate. (Fig 17). The remote control functions are as follows:



Press once to turn on Flame effect only.
This will be indicated by one beep.



Press once to turn on Half Heat and Flame Effect.
This will be indicated by two beeps.
Press again to turn on Full Heat and Flame Effect.
This will be indicated by three beeps.



Standby
This will be indicated by one beep.

Maintenance

GENERAL TIPS

Only use filtered tap water in this appliance.

Always ensure that the appliance is sitting on a level surface.

If you intend not using the appliance for longer than 2 weeks, remove and empty the sump and water tank.

Once installed, never move this appliance or lay on its back, without draining the water from sump and water tank.

The appliance should never be operated if the lamps are not working.

The lamps should be regularly inspected as described under 'Changing lamps'.

FILLING THE WATER TANK

When the water tank is empty, the flame and smoke effect shuts off and you will hear 2 audible beeps, follow these steps.

1. Press Switch 'A' to **(0)** (Fig.10)
2. Gently lift out the fuelbed and carefully set aside.
3. Remove the water tank by lifting upwards and outwards.
4. Place the water tank in sink and remove cap, Anti-clockwise to open. (Fig 7)
5. Fill tank with **filtered tap water only**. This is necessary to prolong the life of the flame and smoke producing unit. The water should be filtered through a conventional domestic water filter unit and the filter should be replaced regularly.
6. Screw the cap back on, do not over tighten.
7. Return the tank to the sump, with the tank cap facing down and the flat side of the tank facing outward. (Fig 8)
8. Gently place the fuelbed back into position. (Fig 9)
9. Press Switch 'A' to 'ON' (I) position (Fig.10)

CHANGING LAMPS

If the flame and smoke effect appears grey or colourless it may be that one or more lamps have failed.

You can check for lamp failure as follows.

1. Leaving the flame effect on, lift out the fuelbed and water tank.
2. It should be possible to view the lamps with the nozzle in place and observe which one needs to be changed.
3. Put Switch 'A' in the 'OFF' position, and unplug the fire from the mains.
4. Leave the appliance for 20 minutes to allow the lamps to cool down before removing them.
5. Remove the sump as described in the Cleaning Section.
6. Remove the defective lamp, by gently lifting vertically and disengaging the pins from the lamp holder, (Fig.4 and 4a).

Replace with an OPTIMYST, 12V, 45W, Gu5.3 base, 8° beam angle, coloured lamp. (Purchased from our your supplier)

7. Carefully insert the two pins of the new lamp into the two holes in the lamp holder. Push firmly in place. (Fig.4 and 4a).
8. Replace the sump, nozzle, water tank and fuelbed.

CLEANING

Warning – Always press Switch 'A' to the 'OFF' (0) position (Fig.10) and disconnect from the power supply before cleaning the fire.

We recommend cleaning the following components once every 2 weeks, particularly in hard water areas:-
Water Tank, Sump, Nozzle, Tank cap and seal, Air filter.

For general cleaning use a soft clean duster – never use abrasive cleaners.

To remove any accumulation of dust or fluff the soft brush attachment of a vacuum cleaner should occasionally be used to clean the outlet grille of the fan heater.

Water tank

1. Remove water tank, as described earlier, put into sink and empty water.
2. Using the supplied brush gently rub the inside surfaces of the cap paying particular attention to the rubber ring in the outer groove and the centre rubber seal.
3. Put a small quantity of washing up liquid into the tank, refit the cap and shake well, rinse out until all traces of washing up liquid are gone.
4. Refill with filtered tap water only, replace the cap, do not overtighten.

Sump

1. Press Switch 'A' to the 'OFF' (0) position
2. Gently lift out the fuelbed and place carefully on the ground.
3. Remove the water tank by lifting upwards.
4. Disconnect the electrical connector, located on the right side of the sump. (Fig.5) .
5. Release the right sump locking tabs by turning 90°. This allows the sump to be lifted completely from its location. (Fig. 11)
6. Gently lift up the sump, taking care to keep level so as not to spill any water. Sit the assembly in the sink.
7. Release the left sump locking tabs by turning 90°, then lift off the Nozzle. (Fig.3)
8. Lift out the transducer and carefully tilt, as shown, so that the liquid drains out of the sump. (Fig.13)
9. Put a small amount of washing up liquid into the sump, and using the supplied brush, gently clean all surfaces in the sump and gently clean the transducer including the metal discs located in the top grooved surface. (Fig.14)
10. When cleaned, thoroughly rinse the sump with clean water to remove all traces of washing up liquid.
11. Clean the Nozzle with the brush and flush out thoroughly with water. (Fig.15)
12. Reverse the above steps to reassemble.

Air filter

1. Gently lift out the fuelbed and place carefully on the ground.
2. Gently slide the air filter upwards out of its plastic holder. (Fig.16)
3. Gently rinse with water in the sink and dry with fabric towel before returning.
4. Replace the filter making sure that the coarse black filter is facing the front of the fire.
5. Replace the fuelbed.

Additional Information

AFTER SALES SERVICE

Your product is guaranteed for two years from the date of purchase. Within this period, we undertake to repair or exchange this product free of charge (excluding lamps & subject to availability) provided it has been installed and operated in accordance with these instructions. Your rights under this guarantee are additional to your statutory rights, which in turn are not affected by this guarantee.

RECYCLING



For electrical products sold within the European Community - At the end of the electrical products useful life it not be disposed of with household waste. Please recycle where facilities exist. Check with your Local Authority or retailer for recycling advice in your country.

PATENT / PATENT APPLICATION

Products within the Optimyst range are protected by one or more of the following patents and patent applications:

Great Britain GB 2402206, GB 2460259, GB 2460453 , GB 2418014, GB 2465738, GB 2449925, GB 2465537 , GB 2455277 , GB1020534.2, GB1020537.5, GB1110987.3

United States US 7967690, US 2010299980, US 2011062250, US 2008028648, US 13/167,042

Russia RU2008140317

European EP 2029941, EP 2201301, EP 2315976, EP 1787063, EP07723217.1 , EP11170434.2, EP 11170435.9

China CN 101883953, CN 200980128666.2, CN 101057105, CN 101438104

Australia AU 2009248743, AU 2007224634

Canada CA 2725214, CA 2579444, CA 2645939

International Patent Application WO 2006027272

South Africa ZA 200808702

Mexico MX 2008011712

Korea KR 20080113235

Japan JP 2009529649

Brazil BR P10708894-9

India IN 4122/KOLNP/2008

New Zealand NZ 571900

Troubleshooting

Symptom	Cause	Corrective Action
The flame effect will not start.	<p>Mains plug is not plugged in.</p> <p>Low water level.</p> <p>Low voltage connector not connected properly. (Fig.5)</p> <p>The Transducer Unit is not sitting correctly in the sump</p>	<p>Check plug is connected to wall socket correctly.</p> <p>Check that the water tank is full and there is water in the sump.</p> <p>Check that the connector is inserted correctly. (Fig.5)</p> <p>Ensure the Transducer is sitting down into the moulded recess in the sump</p>
The flame effect is too low.	<p>Flame effect control knob is set too low. (Fig.10)</p> <p>The Metal Disc in the transducer might be dirty (Fig.14)</p> <p>The wire from the Transducer Unit is sitting over the metal disc</p>	<p>Increase level of flame by turning Control knob 'D' to the left slowly. (Fig.10)</p> <p>Clean the Metal Disc with soft brush supplied. (Fig.14) See 'Maintenance.' for a step by step procedure.</p> <p>Direct the wire to the back of the sump and make sure it sits into the side slot exiting the sump.</p>
Unpleasant smell when unit is used.	<p>Dirty or stale water.</p> <p>Using unfiltered tap water.</p>	<p>Clean the unit as described under maintenance.</p> <p>Use only filtered tap water.</p>
The flame effect has too much smoke.	<p>Flame effect setting is too high.</p>	<p>Turn the flame effect Control knob 'D' to the right, about ¼ a turn, at a time. Give the flame generator some time to adjust to the new setting. (Fig.10)</p>
Main lamps are not working and there are no flames or smoke.	<p>There is no water in the water tank</p>	<p>Follow instructions under Maintenance, 'Filling the water tank'.</p> <p>Check the plug is connected to the wall socket correctly and that Switch 'A' Fig. 10 is in the 'ON' (I) position.</p>

Einleitung

Bitte lesen Sie diese Hinweise für die sichere Inbetriebnahme, den Betrieb und die Wartung des Geräts sorgfältig durch.

Wichtige Sicherheitshinweise

Beim Gebrauch von elektrischen Geräten sollten die grundlegenden Sicherheitsmaßnahmen immer befolgt werden, um das Risiko von Brandbildung, elektrischem Schock und Verletzungen zu minimieren. Das schließt Folgendes ein:

1. WARNUNG



Keine Gegenstände oder Kleidungsstücke auf das Elektrogerät legen und die Luftzirkulation um das Elektrogerät herum nicht behindern.

Das Elektrogerät verfügt über ein Warnschild mit dem Hinweis NICHT BEDECKEN.

2. SCHÄDEN

Wenn das Gerät beschädigt ist, wenden Sie sich vor einer Installation und Inbetriebnahme an den Händler.

Wenn das Netzkabel beschädigt ist, muss es vom Hersteller, einer Kundendienstvertretung oder einer vergleichbar qualifizierten Person ausgetauscht werden, um Gefahren zu vermeiden.

3. STANDORT

Das Gerät darf nicht im Freien verwendet werden.

Nicht in unmittelbarer Nähe von Bädern, Duschen oder Schwimmbädern verwenden.

Das Elektrogerät darf nicht unmittelbar unter einer Wandsteckdose oder einer Anschlussdose angebracht werden.

Möbel, Vorhänge und andere brennbare Stoffe dürfen sich nicht näher als 1 m vor dem Gerät befinden.

4. STECKERPLATZIERUNG

Das Gerät muss so aufgestellt werden, dass der Netzstecker zugänglich ist.

Das Stromversorgungskabel nicht in der Nähe der Vorderseite des Geräts verlegen.

5. NETZSTECKER ZIEHEN

Bei einem Fehler den Netzstecker des Geräts ziehen.

Den Netzstecker des Geräts ziehen, wenn es längere Zeit nicht benötigt wird.

6. BESITZER/BENUTZER

Dieses Gerät kann von Kindern über 8 Jahren, von Personen, deren körperliche oder geistige Unversehrtheit oder deren Wahrnehmungsfähigkeit eingeschränkt ist, sowie von Personen mit mangelnden Kenntnissen oder Erfahrung benutzt werden. Dies gilt nur unter der Voraussetzung, dass sie beaufsichtigt werden oder dass sie eine Einweisung in die sichere Nutzung des Geräts und die damit verbundenen Gefahren erhalten haben. Kinder dürfen mit dem Gerät nicht spielen. Reinigung und Wartung dürfen ohne Beaufsichtigung nicht von Kindern durchgeführt werden.

Kinder unter 3 Jahren sollten sich ohne Beaufsichtigung nicht in der Nähe des Geräts aufhalten. Kinder von 3 bis 8 Jahren sollten das Gerät nur ein- oder ausschalten dürfen, wenn es in der dafür vorgesehenen Betriebsposition montiert wurde. Dies gilt nur unter der Voraussetzung, dass sie beaufsichtigt werden oder dass sie eine Einweisung in die sichere Nutzung des Geräts und die damit verbundenen Gefahren erhalten haben. Kinder von 3 bis 8 Jahren dürfen das Gerät nicht an eine Steckdose anschließen, benutzen bzw. reinigen oder das Gerät warten.

7. ELEKTRISCHER ANSCHLUSS

Warnung: Um Gefahr durch ungewünschtes Zurücksetzen der thermalen Sicherheitsabschaltung zu vermeiden, darf diese Einheit nicht durch ein externes Schaltgerät (z. B. einen Zeitschalter) mit Strom versorgt oder an einen Schaltkreis angeschlossen werden, der vom Versorgungsbetrieb regelmäßig ein- und ausgeschaltet wird.

VORSICHT - Einige Geräteteile können sehr heiß werden und Verbrennungen hervorrufen. Eine besondere Beaufsichtigung gilt bei Kindern und schutzbedürftigen Personen.

ACHTUNG - Um Überhitzungen zu vermeiden, darf das Gerät nicht zugedeckt werden.

Allgemeine Informationen

In diesem Gerät darf nur gefiltertes Leitungswasser verwendet werden.

Immer darauf achten, dass das Gerät auf ebenem Untergrund steht.

Zwar erfüllt das Heizgerät die Sicherheitsstandards, jedoch raten wir von einer Benutzung auf hochflorigen Fußbodenbelägen oder Teppichen ab.

Bitte beachten: Bei Verwendung in Umgebungen mit wenigen Hintergrundgeräuschen sind Betriebsgeräusche aufgrund des Flammeneffekts unter Umständen hörbar. Dies ist normal und kein Grund zur Beunruhigung.

Im Falle einer unerwarteten Überspannung wird das Gerät zur Sicherheit abgeschaltet. Diese Sicherheitsabschaltung ist normal und das Gerät wird sich nach 30 Sekunden wieder einschalten.

Nach der Installation darf dieses Gerät nicht transportiert oder auf die Rückseite gelegt werden, ohne zuvor das Wasser aus dem Sumpf und Wassertank abzulassen.

Falls das Gerät länger als 2 Wochen nicht benutzt wird, muss das Wasser aus dem Sumpf und Wassertank abgelassen und der Sumpf getrocknet werden.

Einmal alle zwei Wochen müssen der Wassertank, Sumpf, der Sumpfdeckel, Tankdeckel und die Luftfilter gereinigt werden, insbesondere in Regionen mit hartem Wasser.

Das Gerät darf auf keinen Fall in Betrieb gesetzt werden, wenn die Lampen nicht funktionieren.

Die Lampen sind wie unter „Wartung“ und „Lampenwechsel“ erläutert regelmäßig zu überprüfen.

Installationsanleitung

Dieser Abschnitt erläutert die Einstellung des Elektrokamins.

VOR INBETRIEBNAHME

1. Das Verpackungsmaterial von sämtlichen Teilen entfernen (eventuelle Aufkleber mit Warnhinweisen beachten). Das Verpackungsmaterial für spätere Zwecke aufbewahren, z. B. für einen Umzug oder für die Rücksendung an den Händler.
2. Vor dem Anschluss des elektrischen Geräts immer prüfen, ob die Versorgungsspannung mit den Angaben auf dem Heizgerät übereinstimmen.

Installation in einen Kaminsims

1. Wenn Sie dieses Gerät in einen Kaminsims installieren möchten, dann stellen Sie sicher, dass Sie einen dafür geeigneten Sims wählen (Abbildung 18). **Es sollte sich an der Vorderseite des Kaminsimses ein Mantel von mindestens 88cm² befinden. Es ist von entscheidender Bedeutung, dass Luft das Gerät durchströmen kann – ansonsten arbeitet der Flammenmechanismus Opti-myst nicht richtig. Dieser Luftkanal darf nicht versperrt werden.**
2. Entfernen Sie die 4 Abstandshalterungen an der Vorderseite des Geräts (Abb 19)
3. Schieben Sie das Gerät komplett von hinten in den Kaminsims und vergewissern Sie sich, dass es sich in der Mitte des Mantels befindet. Bitte befestigen Sie das Gerät danach mit dafür geeigneten Schrauben (nicht in der Lieferung inbegriffen) in dieser Position (Abb 21).
4. Der Kamin sollte höchstens 1 m entfernt von einer Steckdose stehen (Abb 21).

Installation an einer Wand oder in einer Aussparung

1. Beachten Sie die in Abb 1 dargestellten Maße des Produktes und wählen Sie einen geeigneten Aufbau, sodass das Gerät höchstens 1 m von einem Netzstecker entfernt angebracht wird (Abb 22). Befestigen Sie das Gerät mit dafür geeigneten Schrauben (nicht im Lieferumfang inbegriffen) an dieser Stelle.
2. Beachten Sie die Lüftungsschlitze in dem Gerät. Sie befinden sich an der Vorder- und Unterseite des Geräts.
3. Bauen Sie die Wand gegen das Gerät auf, wobei Sie die Abstandshalterungen als Richtschnur nutzen.
5. **An der Vorderseite des Aufbaus muss sich ein Luftschlitz von mindestens 88cm² befinden. Es ist von entscheidender Bedeutung, dass Luft das Gerät durchströmen kann – ansonsten arbeitet der Flammenmechanismus Opti-myst nicht richtig. Dieser Luftkanal darf nicht versperrt werden. Bitte beachten Sie Abb 23, wo Beispiele für Lüftungsschlitze in einer Wand oder einer Aussparung dargestellt sind.**

Wandlereinheit und Lampen anschließen

1. Die beiden roten Krallen um 90° drehen (Abb. 2).
2. Sumpfdüse (Abb. 3) herausnehmen.
3. Setzen Sie die beiden Lampen in den Lampensockel ein (Abb. 4). Achten Sie dabei auf die Kontaktstifte (Abb. 4a).
4. Schieben Sie die Lampen bis zum Anschlag hinein.
5. Setzen Sie die Wandlereinheit in den Sumpf ein und verbinden die Kabel mit dem Sumpfanschluss (Abb. 5).
6. Um den korrekten Sitz der Wandlereinheit im Sumpf zu prüfen, muss der Griff auf der Wandlereinheit an der geformten Aussparung im Sumpf ausgerichtet sein (Abb 5a).
7. Stellen Sie sicher, dass das Kabel nicht oberhalb der Scheibe auf der Wandlereinheit geführt wird (Abb. 5b). Um ein Abknicken des Kabels zwischen Düse und Sumpf zu vermeiden, platzieren Sie das Kabel im Schlitz der Sumpfwand.
8. Tauschen Sie die Sumpfdüse aus und sichern Sie sie durch drehen der beiden roten Krallen um 90° (Abb. 6).

Wassertank auffüllen

9. Den Wassertank in ein Waschbecken legen und den Tankdeckel (gegen den Uhrzeigersinn) abschrauben (Abb. 7)
10. Wassertank nur mit **gefiltertem Leitungswasser füllen..** Dadurch verlängert sich die Lebensdauer des Rauch- und Flammengenerators. Zum Filtern des Wassers sollte ein handelsüblicher Wasserfilter benutzt werden, der regelmäßig auszutauschen ist. Es darf kein destilliertes Wasser **verwendet** werden.
11. Den Deckel wieder festschrauben, **aber nicht überdrehen.**
12. Den Wassertank in den Sumpf einsetzen. Der Tankdeckel muss dabei nach unten und die flache Tankseite nach außen zeigen (Abb. 8).

Zusammenbau des Elektrokamins

13. Platzieren Sie das Feuerbett auf dem Wassertank und der Nebeldüse (Abb 9)

Betrieb des Feuers


Dieser Abschnitt erläutert die Aktivierung des Elektrokamins mittels Fernbedienung oder manueller Steuerung.


MANUELLE BEDIENELEMENTE


Die manuellen Bedienelemente befinden sich hinter der aufklappbaren Blende. (Anordnung der manuellen Bedienelemente, siehe Abb. 10).


Schalter „A“: Regelt die Energieversorgung zum Kamineinsatz.


Hinweis: Dieser Schalter muss auf „ON“ (I) stehen, um das Heizgerät mit oder ohne Heizfunktion zu betreiben.

Schalter „B“:  einmal drücken, um den Flammeneffekt einzuschalten. Dies wird durch Ausgabe eines Pieptons signalisiert. Zwar reagieren die Hauptleuchten sofort, allerdings dauert die Aktivierung des Flammeneffekts weitere 30 Sekunden.

Erneut  drücken, um Flammeneffekt und die halbe Heizleistung einzuschalten. Dies wird durch Ausgabe von zwei Pieptönen signalisiert.

Erneut  drücken, um Flammeneffekt und die volle Heizleistung einzuschalten. Dies wird durch Ausgabe von drei Pieptönen signalisiert.

Erneut  drücken, um wieder zum Flammeneffekt ohne Wärmeabgabe zurückzuschalten. Dies wird durch Ausgabe eines Pieptons signalisiert.

Erneut  drücken, um den Kamin auf Standby zu schalten. Dies wird durch Ausgabe eines Pieptons signalisiert.

Drehregler „C“: Dient zum Einstellen des Thermostats.

Durch Drehen des Reglers nach links wird eine niedrigere Temperatur und nach rechts eine höhere Temperatur am Thermostat eingestellt.

Drehregler „D“: Stellt die Stärke des Flammeneffekts ein.

Wird der Regler nach links gedreht, wird der Feuereffekt stärker und nach rechts wird die Flamme kleiner.

THERMOSTAT EINSTELLEN

Der Netzstecker des Elektrokamins muss eingesteckt und das Gerät auf volle Heizleistung gestellt sein. Drehregler „C“ ganz nach rechts drehen (maximale Temperatureinstellung), um den Raum rasch zu erwärmen. Wenn die gewünschte Raumtemperatur erreicht ist, drehen Sie den Thermostatkopf langsam gegen den Uhrzeigersinn, bis ein Klick zu hören ist. Das Heizgerät hält dann die Raumtemperatur auf dem eingestellten Wert.

Hinweis: Wenn sich das Heizgerät bei niedrig eingestelltem Thermostat nicht einschaltet, liegt dies möglicherweise daran, dass die Raumtemperatur höher als die Thermostateinstellung ist.

THERMALE SICHERHEITSABSCHALTUNG

Um einen Defekt durch Überhitzung zu vermeiden, ist das Heizgebläse des Geräts mit einer Sicherheitsabschaltung ausgestattet. Das kann passieren, wenn der Wärmeauslass auf irgendeine Art blockiert wurde. Falls die Sicherheitsabschaltung einsetzt, ziehen Sie den Netzstecker des Heizgeräts aus der Steckdose, und warten Sie 10 Minuten, bevor Sie das Gerät wieder anschließen. Vor dem erneuten Einschalten des Heizgeräts sollten Blockaden beseitigt werden, durch die die Wärmeabgabe des Geräts verhindert wird. Anschließend kann der normale Betrieb wieder fortgesetzt werden.

Vorsicht: Zur Vermeidung von Gefahren durch versehentliches Rückstellen der Sicherheitsabschaltung bei Überhitzung darf dieses Gerät nicht über eine externe Schaltvorrichtung wie etwa eine Zeitschaltuhr mit Energie versorgt oder mit einem Schalter verbunden werden, der über die Vorrichtung regelmäßig ein- und ausgeschaltet wird.

EINSTELLEN DES GEWÜNSCHTEN FLAMMENEFFEKTS

1. Für einen realistischen Flammeneffekt kann der Flammenregler „D“ (Abb. 10) höher oder niedriger eingestellt werden.
2. Die Flammen erscheinen realistischer, wenn der Flammenregler kleiner eingestellt wird.
3. Warten Sie einen Moment, bis der Flammengenerator auf die veränderte Flammenreglereinstellung reagiert hat.
4. Der Elektrokamin verbraucht bei einem kleiner eingestellten Flammeneffekt weniger Wasser.
5. Wenn sich Wasser im Tank oder Sumpf befindet, darf der Kamin nicht gekippt oder versetzt werden.
6. Der Elektrokamin muss auf einem ebenem Untergrund stehen.

BETRIEB MIT DER FERNBEDIENUNG

Am Bedienfeld muss Schalter A (siehe Abb. 10) auf Position „ON“ (I) stehen, damit das Gerät über die Fernbedienung gesteuert werden kann.

Auf der Fernbedienung befinden sich 3 Tasten (Abb. 12). Zum korrekten Betrieb muss die Fernbedienung nach vorne in Richtung Kaminrost gehalten werden (Abb. 17). Die Fernbedienung besitzt folgende Funktionen:



Einmal drücken, um ausschließlich den Feuereffekt (ohne Wärmeabgabe) einzuschalten.
Dies wird durch Ausgabe eines Pieptons signalisiert.



Einmal drücken, um die halbe Heizleistung und den Feuereffekt einzuschalten.

Dies wird durch Ausgabe von zwei Pieptönen signalisiert.

Noch einmal drücken, um die volle Heizleistung und den Flammeneffekt einzuschalten.

Dies wird durch Ausgabe von drei Pieptönen signalisiert.



Standby

Dies wird durch Ausgabe eines Pieptons signalisiert.

Wartung

ALLGEMEINE HINWEISE

In diesem Gerät darf nur gefiltertes Leitungswasser verwendet werden.

Immer darauf achten, dass das Gerät auf ebenem Untergrund steht.

Falls das Gerät länger als 2 Wochen nicht benutzt wird, muss das Wasser aus dem Sumpf und Wassertank abgelassen und der Sumpf getrocknet werden.

Nach der Installation darf dieses Gerät nicht transportiert oder auf die Rückseite gelegt werden, ohne zuvor das Wasser aus dem Sumpf und Wassertank abzulassen.

Das Gerät darf auf keinen Fall in Betrieb gesetzt werden, wenn die Lampen nicht funktionieren.

Die Lampen sind wie unter „Lampenwechsel“ erläutert regelmäßig zu überprüfen.

WASSERTANK AUFFÜLLEN

Wenn der Wassertank leer ist, schaltet sich der Flammen- und Raucheffekt ab und es ertönen 2 akustische Warnsignale.

1. Schalter „A“ auf **(0)** (Abb. 10).

2. Feuerbett vorsichtig herausheben und beiseite legen.

3. Den Wassertank nach oben aus dem Gerät herausheben.

4. Den Wassertank in ein Waschbecken legen und den Tankdeckel gegen den Uhrzeigersinn abschrauben. (Abb. 7).

5. Tank nur mit **gefiltertem Leitungswasser füllen**.. Dadurch verlängert sich die Lebensdauer des Rauch- und Flammengenerators.

Zum Filtern des Wassers sollte ein handelsüblicher Wasserfilter benutzt werden, der regelmäßig auszutauschen ist.

6. Den Deckel wieder festschrauben, aber nicht überdrehen.

7. Den Tank wieder in den Sumpf einsetzen. Der Tankdeckel muss dabei nach unten und die flache Tankseite nach außen zeigen. (Abb. 8).

8. Feuerbett vorsichtig wieder einsetzen. (Abb. 9).

9. Schalter „A“ auf „ON“ **(I)** (Abb. 10).

LAMPENWECHSEL

Wenn der Flammen- und Raucheffekt grau oder farblos erscheint, sind unter Umständen eine oder mehrere Lampen defekt. Die Lampen können Sie folgendermaßen auf Funktion prüfen:

1. Das Feuerbett und den Wassertank bei eingeschaltetem Flammeneffekt herausheben.

2. Es sollte möglich sein, die Lampen mit angebrachter Düse zu betrachten, um festzustellen, welche Lampe ausgetauscht werden muss.

3. Stellen Sie Schalter „A“ auf Position „OFF“ (AUS) und ziehen Sie den Netzstecker des Kamins aus der Steckdose.

4. Lassen Sie das Gerät 20 Minuten lang ausgeschaltet, damit sich die Lampen vor dem Ausbau abkühlen können.

5. Bauen Sie den Sumpf aus, wie im Abschnitt „Reinigung“ erläutert.

6. Ziehen Sie die defekte Lampe mit den Kontaktstiften vorsichtig nach oben aus dem Lampensockel heraus (siehe Abb. 4 und 4a).

Ersetzen Sie sie durch eine farbige OPTIMYST-Lampe 12 V, 45 W, Sockel Gu5.3. Leuchtwinkel 8° (Lampen erhalten Sie bei Ihrem Fachhändler).

7. Führen Sie die beiden Kontaktstifte der neuen Lampe in die beiden Öffnungen des Lampensockels ein und schieben Sie sie bis zum Anschlag hinein (siehe Abb. 4 und 4a).

8. Sumpf, Düse, Wassertank und Feuerbett wieder anbringen.

REINIGUNG

Warnung – Schalter „A“ immer auf „OFF“ **(0)** stellen (Abb. 10) und vor dem Reinigen des Elektrokamins das Gerät vom Stromnetz trennen.

Bei folgenden Teilen empfehlen wir eine regelmäßige Reinigung alle 2 Wochen, insbesondere in Regionen mit hartem Wasser:

Wassertank, Sumpf, Düse, Tankdeckel und -dichtung, Luftfilter.

Zum Reinigen allgemein immer ein weiches, sauberes Staubtuch benutzen, auf keinen Fall Scheuermittel verwenden. Um angesammelten Staub oder Flusen zu entfernen, kann gelegentlich ein Staubsauger mit weichem Bürstenaufsatz zum Reinigen des Auslassgitters des Lüftergebläses verwendet werden.

Wassertank

1. Den Tank - wie zuvor erläutert - ausbauen, in ein Waschbecken legen und das Wasser ablassen.
2. Mit der beigegefügtten Bürste die Innenflächen des Deckels sanft abbürsten. Dabei besonders den Gummiring in der Außennut und die Gummidichtung in der Mitte sauber bürsten.
3. Eine sparsame Menge Spülmittel in den Tank füllen, den Deckel festschrauben und gut schütteln. Das Spülmittel komplett wieder ausspülen, bis davon keine Spuren im Abwasser mehr zu sehen sind.
4. Ausschließlich mit gefiltertem Leitungswasser auffüllen, den Deckel wieder anbringen und nicht überdrehen.

Sumpf

1. Schalter „A“ auf „OFF“ (0) stellen.
2. Feuerbett vorsichtig herausheben und auf den Boden legen.
3. Den Wassertank nach oben herausheben.
4. Den Stecker aus der Anschlussbuchse auf der linken Seite des Sumpfs ziehen (Abb. 5).
5. Die Sicherungskralen unten am Sumpf um 90° drehen. Der Sumpf kann nun komplett aus der Einbaulage herausgehoben werden (Abb. 11).
6. Den Sumpf vorsichtig und möglichst waagrecht herausheben, damit kein Wasser verschüttet wird. Das gesamte Bauteil in ein Waschbecken stellen.
7. Die beiden Sicherungskralen am linken Sumpf um 90° drehen und die Düse abnehmen (Abb. 3).
8. Den Wandler herausheben und vorsichtig seitlich kippen, damit die Flüssigkeit aus dem Sumpf ablaufen kann. (Abb. 13)
9. Etwas Spülmittel in den Sumpf füllen und mit der beigegefügtten Bürste sämtliche Flächen im Sumpf und den Wandler sanft reinigen, auch die Metallscheiben, die in der Nut auf der Oberseite verlegt ist (Abb. 14).
10. Nach dem Reinigen den Sumpf mit klarem Wasser gründlich ausspülen, um alle Spülmittelrückstände zu beseitigen.
11. Die Düse mit der Bürste säubern und mit Wasser gründlich spülen (Abb. 15).
12. Beim Zusammenbau die obigen Schritte in umgekehrter Reihenfolge befolgen.

Luftfilter

1. Feuerbett vorsichtig herausheben und auf den Boden legen.
2. Den Luftfilter vorsichtig nach oben aus seiner Kunststoffhalterung herausziehen (Abb. 16).
3. Vorsichtig mit Wasser im Waschbecken ausspülen und vor dem Einsetzen mit einem Handtuch abtrocknen.
4. Den Filter wieder einsetzen, dabei darauf achten, dass der grobe schwarze Filter in Richtung Vorderseite des Kamins zeigt.
5. Das Feuerbett wieder einsetzen.

Weitere Informationen

KUNDENDIENST

Ihr Produkt unterliegt einer Garantie von zwei Jahren ab dem Kaufdatum. Innerhalb dieses Zeitraums verpflichten wir uns, Reparaturen oder einen Gerätetausch kostenlos durchzuführen (ausgenommen Lampen und abhängig von der Verfügbarkeit), sofern gewährleistet ist, dass die vorliegenden Anweisungen bei der Installation und Bedienung beachtet wurden. Ihre Rechte gemäß dieser Gewährleistung gelten zusätzlich zu Ihren gesetzlichen Rechten, die von dieser Gewährleistung unberührt bleiben.

RECYCLING



Für die Entsorgung dieses Heizgerätes gelten entsprechende Richtlinien für die Entsorgung von Elektroprodukten innerhalb der europäischen Gemeinschaft. Elektrogeräte dürfen am Ende ihrer Nutzungsdauer nicht im regulären Haushaltsmüll entsorgt werden. Sie müssen einer entsprechenden Recycling-Sammelstelle zugeführt werden. Entsprechende Hinweise zu Annahmestellen erhalten Sie bei der zuständigen lokalen Behörde oder Ihrem Fachhändler.

PATENT/PATENTANMELDUNG

Produkte im Optimyst-Sortiment sind durch eines bzw. mehrere der nachfolgend aufgeführten Patente urheberrechtlich geschützt:

Großbritannien GB 2402206, GB 2460259, GB 2460453, GB 2418014, GB 2465738, GB 2449925, GB 2465537, GB 2455277, GB1020534.2, GB1020537.5, GB1110987.3

USA US 7967690, US 2010299980, US 2011062250, US 2008028648, US 13/167,042

Russland RU2008140317

Europa EP 2029941, EP 2201301, EP 2315976, EP 1787063, EP07723217.1 , EP11170434.2, EP 11170435.9

China CN 101883953, CN 200980128666.2, CN 101057105, CN 101438104

Australien AU 2009248743, AU 2007224634

Kanada CA 2725214, CA 2579444, CA 2645939

Internationale Patentanmeldung WO 2006027272

Südafrika ZA 200808702

Mexiko MX 2008011712

Korea KR 20080113235

Japan JP 2009529649

Brasilien - BR P10708894-9

Indien IN 4122/KOLNP/2008

Neuseeland NZ 571900

Fehlerdiagnose

Symptom	Ursache	Abhilfe
Der Flammeneffekt lässt sich nicht einschalten.	Netzstecker ist nicht angeschlossen. Wenig Wasser. Der Niederspannungsstecker ist nicht richtig angeschlossen (Abb. 5). Die Wandlereinheit sitzt nicht richtig im Sumpf.	Prüfen Sie, ob der Netzstecker richtig an die Steckdose angeschlossen ist. Prüfen Sie, ob der Wassertank gefüllt ist, und ob sich Wasser im Sumpf befindet. Prüfen Sie, ob der Stecker korrekt angeschlossen ist (Abb. 5). Sorgen Sie dafür, dass der Wandler richtig in der geformten Aussparung im Sumpf sitzt.
Der Flammeneffekt arbeitet zu niedrig.	Der Drehregler für den Flammeneffekt ist zu niedrig eingestellt (Abb. 10). Die Metallscheibe im Wandler ist evtl. verschmutzt (siehe Abb. 14). Die Leitung von der Wandlereinheit liegt über der Metallscheibe.	Den Drehregler „D“ langsam nach links drehen, um die Flammen höher zu stellen (Abb. 10). Die Metallscheibe mit der beigefügten weichen Bürste reinigen (siehe Abb. 14). Die schrittweise gegliederten Anweisungen finden Sie im Abschnitt „Wartung“. Die Leitung zur Rückseite des Sumpfs führen und darauf achten, dass sie im seitlichen Schlitz aus dem Sumpf austritt.
Unangenehmer Geruch während des Betriebs.	Verschmutztes oder abgestandenes Wasser. Es wird ungefiltertes Leitungswasser benutzt.	Das Gerät wie im Wartungsabschnitt erläutert reinigen. Nur gefiltertes Leitungswasser benutzen.
Der Flammeneffekt stößt zu viel Rauch aus.	Der Flammeneffekt ist zu stark eingestellt.	Den Drehregler „D“ für den Flammeneffekt langsam jeweils ¼ nach rechts drehen. Warten Sie etwas, bis der Flammengenerator auf die neue Einstellung reagieren kann (Abb. 10).
Die Hauptlampen leuchten nicht, und es sind weder Flammen noch Rauch zu sehen.	Es ist kein Wasser im Tank.	Befolgen Sie die Anweisungen unter Wartung „Wassertank auffüllen“. Prüfen Sie, ob der Netzstecker richtig an die Steckdose angeschlossen ist und Schalter „A“ (Abb. 10) auf I).

Introduction

Veillez lire attentivement ce mode d'emploi afin d'installer, d'utiliser et d'entretenir votre produit en toute sécurité.

Consignes de sécurité importantes

Lorsque vous utilisez des appareils électriques, des précautions essentielles, dont les suivantes, doivent toujours être respectées afin de réduire le risque d'incendie, d'électrocution et de blessure :

1. AVERTISSEMENT



Ne placez pas de matériaux ou vêtements au dessus ou autour de l'appareil obstruant la circulation d'air.

Cet appareil porte une étiquette de mise en garde « NE PAS COUVRIR ».

2. DÉGÂTS

Si l'appareil est endommagé, consultez le fournisseur avant son installation et son utilisation.

Si le cordon d'alimentation est endommagé, il doit être remplacé par le fabricant, un agent agréé ou une personne qualifiée afin d'éviter tout danger.

3. EMPLACEMENT

Ne l'utilisez pas à l'extérieur.

Ne l'utilisez pas à proximité d'une baignoire, douche ou piscine.

Ne placez pas le foyer juste au-dessous d'une prise ou boîte de connexion fixe.

Veillez à ce qu'aucun meuble, rideaux ou autres matériaux combustibles ne soient à moins d'un mètre de l'appareil.

4. POSITION DE LA PRISE

L'appareil doit être placé de façon à ce que la prise soit accessible.

Le cordon d'alimentation ne doit pas passer devant l'appareil.

5. DÉBRANCHEMENT

Débranchez l'appareil en cas de dysfonctionnement.

Débranchez l'appareil s'il ne doit pas être utilisé pendant longtemps.

6. PROPRIÉTAIRE/UTILISATEUR

Cet appareil peut être utilisé par des enfants âgés d'au moins 8 ans et des personnes aux capacités physiques, sensorielles ou mentales réduites ou manquant d'expérience et de connaissances, pourvu qu'ils bénéficient d'une surveillance ou d'instructions quant à l'utilisation de l'appareil de façon sécurisée et qu'ils comprennent les risques encourus. Les enfants ne doivent pas jouer avec cet appareil. Son nettoyage et son entretien ne doivent pas être effectués par des enfants laissés sans surveillance.

Les enfants âgés de moins de 3 ans doivent être tenus à distance de l'appareil, à moins qu'ils ne soient surveillés en permanence. Les enfants âgés de 3 ans et plus et de moins de 8 ans peuvent uniquement allumer/éteindre l'appareil, pourvu qu'il soit placé ou installé dans sa position d'utilisation normale, qu'ils bénéficient d'une surveillance ou d'instructions quant à l'utilisation de l'appareil de façon sécurisée et qu'ils comprennent les risques encourus. Les enfants de 3 ans et plus et de moins de 8 ans ne peuvent pas brancher, régler, nettoyer l'appareil ni procéder à son entretien.

7. ÉLECTRICITÉ

Avertissement : Afin d'éviter tout danger lié à la réinitialisation du protecteur thermique, cet appareil ne doit pas être alimenté via un dispositif à interrupteur externe, tel qu'un minuteur, ni connecté à un circuit régulièrement allumé et éteint par votre fournisseur d'électricité.

ATTENTION : certaines pièces de ce produit peuvent chauffer à haute température et causer des brûlures. Être très attentif lorsque des enfants et des personnes vulnérables sont présents.

AVERTISSEMENT - Ne couvrez pas l'appareil pour éviter toute surchauffe.

Informations générales

Utilisez uniquement de l'eau filtrée dans cet appareil.

Veillez toujours à ce que l'appareil repose sur un sol plat, de niveau.

Bien que cet appareil de chauffage soit conforme aux normes de sécurité, nous vous recommandons de ne pas l'utiliser sur une moquette épaisse ou sur des tapis à poils longs.

Remarque : l'effet flamme s'accompagne d'un son audible dans un environnement silencieux. Ce son est normal et ne doit pas être une source d'inquiétude.

Si, pour une raison quelconque, cet appareil subit une surtension, il se court-circuite. Il s'agit d'une caractéristique de sécurité normale et le produit reprendra son fonctionnement normal au bout de 30 secondes.

Une fois installé, veillez à ne jamais déplacer ni mettre cet appareil à plat sur le dos sans vidanger l'eau du bac et du réservoir d'eau.

Si vous prévoyez de ne pas utiliser l'appareil pendant plus de 2 semaines, vidangez l'eau du bac et du réservoir d'eau puis séchez le bac.

Le réservoir d'eau, le bac, le couvercle du bac, le bouchon du réservoir et les filtres à air doivent être nettoyés une fois toutes les deux semaines, en particulier dans les régions où l'eau est calcaire.

N'utilisez jamais l'appareil si les ampoules ne fonctionnent pas.

Contrôlez régulièrement les ampoules, comme décrit dans les chapitres « Entretien » et « Remplacement des ampoules ».

Instructions d'installation

Ce chapitre décrit l'installation de votre insert.

AVANT DE COMMENCER

1. Veillez à retirer tous les éléments de l'emballage (lisez attentivement toutes les étiquettes d'avertissement) et conservez-les pour une utilisation future, par ex. en cas de déménagement ou de retour de l'appareil au fournisseur.
2. Avant de brancher l'appareil, vérifiez que la tension d'alimentation du secteur est identique à celle indiquée sur le chauffage.

Installation dans un manteau de cheminée

1. Lors de l'installation de cet appareil dans un manteau de cheminée, veuillez vous assurer que vous choisissez un manteau approprié pour votre appareil (Fig. 18). **Il doit y avoir une entrée d'air à l'avant du manteau de cheminée d'au moins 88 cm². Il est essentiel de veiller à ce que l'air puisse circuler dans l'appareil – sinon l'effet de flamme de l'Opti-myst ne fonctionnera pas correctement. Cette voie d'air ne doit pas être obstruée.**
2. Enlever les 4 entretoises sur le devant de l'appareil (Fig. 19).
3. Faites glisser l'appareil dans le manteau de la cheminée, complètement à l'arrière, en vous assurant qu'il est placé au centre du manteau. À l'aide de vis appropriées (non fournies), fixez l'appareil en place (Fig. 20).
4. N'oubliez pas de placer la cheminée à moins d'un mètre d'une prise de courant (Fig. 21).

Installation dans une cavité ou dans un mur

1. Notez les dimensions du produit en Fig. 1 et construisez une structure appropriée pour que l'appareil s'adapte à moins d'un mètre d'une prise de courant (Fig. 22). À l'aide de vis appropriées (non fournies), fixez l'appareil en place
2. Notez les fentes d'aération dans l'appareil. Elles sont situées à la base avant et sous l'appareil.
3. Construisez le mur face à l'appareil à l'aide des entretoises comme guide.
4. **Il doit y avoir une entrée d'air, à l'avant de la structure, d'au moins 88 cm². Il est essentiel de veiller à ce que l'air puisse circuler dans l'appareil – sinon l'effet de flamme de l'Opti-myst ne fonctionnera pas correctement. Cette voie d'air ne doit pas être obstruée. Pour des exemples de bouches d'aération dans une cavité ou un mur, voir Fig. 23**

Raccordement du transducteur et des ampoules

1. Détachez les deux languettes rouges en les tournant à 90 degrés (Fig. 2).
2. Soulevez l'embout du bac (Fig. 3).
3. Insérez les ampoules dans leurs supports (Fig. 4), en rentrant doucement les broches dans les orifices (Fig. 4a).
4. Poussez fermement les ampoules pour les mettre en place.
5. Placez le transducteur dans le bac, et raccordez le câble au connecteur du bac (Fig. 5).
6. Pour vous assurer que le transducteur est correctement placé dans le bac, la languette se trouvant sur le transducteur doit être aligné avec l'alvéole du bac (Fig. 5a).
7. Assurez-vous que le câble ne se trouve pas au-dessus du disque du transducteur (Fig. 5b). Afin d'éviter que le câble ne se coince entre l'embout et le bac, placez-le dans la fente située sur la paroi du bac.
8. Remettez l'embout du bac en place et fixez-le en tournant les deux languettes rouges à 90 degrés (Fig. 6).

Remplissage du réservoir d'eau

9. Placez le réservoir d'eau dans un évier et retirez le bouchon (tournez-le vers la gauche pour l'ouvrir) (Fig. 7).
10. Remplissez le réservoir d'eau **avec de l'eau du robinet filtrée uniquement**. En respectant cette consigne, la durée

de vie du générateur de flammes et de fumée pourra être prolongée. L'eau doit être filtrée au moyen d'un appareil domestique de filtrage conventionnel et le filtre doit être changé régulièrement. N'utilisez **pas** d'eau distillée.

11. Revissez le bouchon **sans trop le serrer**.

12. Placez le réservoir d'eau dans le bac, en orientant le bouchon du réservoir vers le bas et le côté plat du réservoir vers l'extérieur (Fig. 8).

Montage de l'insert

13. Placez la couche de combustible au-dessus du réservoir d'eau et de l'embout du générateur de fumée (Fig. 9).

Fonctionnement de l'insert


Ce chapitre décrit comment allumer votre insert en utilisant les commandes manuelles ou la télécommande.

COMMANDES MANUELLES

Les commandes manuelles se trouvent sous le volet. (Voir Fig. 10 pour connaître la disposition des commandes manuelles.)


Interrupteur « A » : commande l'alimentation électrique de l'insert.

Remarque : Cet interrupteur doit être sur la position « MARCHE » (I) pour que l'appareil fonctionne en dégageant ou non de la chaleur.

Interrupteur « B » :- Appuyez une fois sur  pour allumer l'effet flamme. Un bip sonore retentit. Bien que les ampoules principales fonctionnent immédiatement, 30 secondes supplémentaires sont nécessaires pour que l'effet flamme démarre.

Appuyez à nouveau une fois sur  pour obtenir l'effet flamme et un chauffage moyen. Deux bips sonores retentissent.

Appuyez encore une fois sur  pour obtenir l'effet flamme et un chauffage fort. Trois bips sonores retentissent.

Appuyez une fois de plus sur  pour revenir à l'effet flamme seul. Un bip sonore retentit.

Appuyez une nouvelle fois sur  pour mettre l'insert en veille. Un bip sonore retentit.

Bouton « C » : commande le réglage du thermostat.

Tournez le bouton vers la gauche pour diminuer le réglage de la température, et tournez-le vers la droite pour augmenter le réglage de la température.

Bouton « D » : commande l'intensité de l'effet flamme.

Tournez ce bouton vers la gauche pour augmenter l'effet flamme, et tournez ce bouton vers la droite pour diminuer l'effet flamme.

RÉGLAGE DU THERMOSTAT

Assurez-vous que l'insert est raccordé à une prise secteur, et réglez le chauffage sur la puissance maximale. Tournez complètement le bouton « C » vers la droite (réglage de température maximal) pour chauffer rapidement la pièce.

Lorsque la pièce a atteint la température désirée, tournez le bouton du thermostat dans l'autre sens jusqu'à ce que vous entendiez un clic. La température de la pièce sera alors maintenue au niveau souhaité.

Remarque : Si le chauffage ne se déclenche pas lorsque le thermostat est réglé sur une température basse, cela peut signifier que la température de la pièce est déjà plus élevée que celle du thermostat.

DISJONCTEUR THERMIQUE DE SÉCURITÉ

Un disjoncteur thermique est intégré au ventilateur pour prévenir les risques dus à une surchauffe. En effet, des dommages sont susceptibles de se produire si la sortie de l'insert est obstruée de quelque manière que ce soit. Si le disjoncteur se déclenche, débranchez l'appareil de la prise électrique et attendez environ 10 minutes avant de le rebrancher. Avant de rallumer l'appareil, éliminez toute obstruction susceptible de bloquer la sortie de chaleur, puis reprenez le fonctionnement normal.

Attention : Pour éviter les risques liés à la réinitialisation accidentelle du disjoncteur thermique, cet appareil ne doit pas être alimenté par un dispositif de commande externe, tel qu'une minuterie, ou branché à un interrupteur régulièrement mis hors et sous tension.

OBTENTION DE L'EFFET FLAMME SOUHAITÉ

1. Le bouton de réglage des flammes « D » (Fig. 10) peut être utilisé pour donner un effet plus ou moins réaliste aux flammes.
2. En général, les flammes semblent plus réelles lorsque ce bouton est réglé sur une position basse.
3. Laissez au générateur de flammes le temps de réagir aux changements.
4. L'insert consommera moins d'eau si l'effet flamme est réglé sur un niveau bas.
5. N'inclinez ou ne déplacez pas l'insert tant qu'il y a de l'eau dans le réservoir ou le bac.
6. Veillez à ce que l'insert soit placé sur un sol plat et de niveau.

FONCTIONNEMENT DE LA TÉLÉCOMMANDE

Sur le panneau de commande, l'interrupteur A (Fig. 10) doit être en position « MARCHE » (I) pour que la télécommande fonctionne.

La télécommande comporte 3 boutons. (Fig. 12). Pour fonctionner correctement, la télécommande doit être dirigée vers l'avant de la grille. (Fig. 17). Les fonctions de la télécommande sont les suivantes :



Appuyez une fois pour allumer l'effet flamme seul.
Un bip sonore retentit.



Appuyez une fois pour obtenir une chaleur moyenne et l'effet flamme.
Deux bips sonores retentissent.
Appuyez de nouveau pour allumer le chauffage complet et l'effet flamme.
Trois bips sonores retentissent.



Mode Veille
Un bip sonore retentit.

« Entretien »

CONSEILS GÉNÉRAUX

Utilisez uniquement de l'eau du robinet filtrée dans cet appareil.

Veillez toujours à ce que l'appareil repose sur un sol plat, de niveau.

Si vous prévoyez de ne pas utiliser l'appareil pendant plus de 2 semaines, retirez et videz le bac et le réservoir d'eau.

Une fois installé, veillez à ne jamais déplacer ni mettre cet appareil à plat sur le dos sans vidanger l'eau du bac et du réservoir d'eau.

N'utilisez jamais l'appareil si les ampoules ne fonctionnent pas.

Contrôlez régulièrement les ampoules, comme décrit dans le chapitre « Remplacement des ampoules ».

REPLISSAGE DU RÉSERVOIR D'EAU

Lorsque le réservoir d'eau est vide, l'effet flamme et fumée s'arrête et 2 bips retentissent ; procédez alors comme suit :

1. Placez l'interrupteur « A » sur (0) (Fig. 10)
2. Soulevez doucement la couche de combustible et mettez-la de côté.
3. Retirez le réservoir d'eau en le soulevant vers le haut et vers l'extérieur.
4. Placez le réservoir d'eau dans l'évier et tournez le bouchon vers la gauche pour l'ouvrir. (Fig. 7)
5. Remplissez le réservoir **avec de l'eau du robinet filtrée uniquement**. En respectant cette consigne, la durée de vie du générateur de flammes et de fumée pourra être prolongée.

L'eau doit être filtrée au moyen d'un appareil domestique de filtrage conventionnel et le filtre doit être remplacé régulièrement.

6. Revissez le bouchon, sans trop le serrer.
7. Remettez le réservoir en place dans le bac, en orientant le bouchon du réservoir vers le bas et le côté plat du réservoir vers l'extérieur. (Fig. 8)
8. Remplacez doucement la couche de combustible. (Fig. 9)
9. Placez l'interrupteur « A » sur la position « MARCHE » (I) (Fig. 10)

REPLACEMENT DES AMPOULES

Si l'effet flamme et fumée devient gris ou incolore, il se peut qu'une ou plusieurs ampoules soient défectueuses.

Vérifiez l'état des ampoules de la manière suivante :

1. Tout en laissant l'effet flamme allumé, soulevez la couche de combustible et le réservoir d'eau.
2. Il est possible de voir les ampoules tandis que l'embout est en place et de déterminer laquelle doit être remplacée.
3. Mettez l'interrupteur « A » en position « ARRÊT » et débranchez l'appareil du secteur.
4. Attendez environ 20 minutes pour permettre aux ampoules de refroidir avant de les retirer.
5. Retirez le bac tel que décrit dans le chapitre « Nettoyage ».
6. Retirez l'ampoule défectueuse en la soulevant délicatement à la verticale et en sortant les broches du support (voir Figures 4 et 4a).

Remplacez-la par une ampoule de couleur OPTIMYST de 12 V, de 45 W, avec une base Gu5.3 et un faisceau de 8 degrés. (Disponible chez votre revendeur.)

7. Insérez soigneusement les deux broches de l'ampoule neuve dans les deux orifices du support de l'ampoule. Poussez fermement sur l'ampoule pour la mettre en place (Figures 4 et 4a).
8. Remplacez le bac, l'embout, le réservoir d'eau et la couche de combustible.

NETTOYAGE

Avvertissement : Appuyez toujours sur l'interrupteur « A » pour le mettre sur la position « ARRÊT » (0) (Fig. 10) et débranchez l'appareil de l'alimentation secteur avant de le nettoyer.

Nous vous conseillons de nettoyer les éléments suivants une fois toutes les 2 semaines, en particulier dans les régions où l'eau est calcaire :

Réservoir d'eau, bac, embout, bouchon et joint du réservoir, filtre à air.

Pour un nettoyage régulier, utilisez un chiffon à poussière doux et n'utilisez jamais de produits nettoyants abrasifs.

Utilisez la brosse douce d'un aspirateur de temps à autre pour nettoyer la grille du ventilateur et éliminer la poussière et les peluches qui se sont accumulées.

Réservoir d'eau

1. Retirez le réservoir d'eau comme décrit précédemment, placez-le dans un évier et videz l'eau.
2. À l'aide de la brosse fournie, brossez doucement les surfaces intérieures du bouchon, en faisant particulièrement attention au joint en caoutchouc se trouvant dans la rainure extérieure et au centre du joint en caoutchouc.
3. Mettez une petite quantité de détergent dans le réservoir, remettez le bouchon en place et secouez bien. Rincez jusqu'à ce que toutes les traces de détergent disparaissent.
4. Remplissez avec de l'eau du robinet filtrée uniquement, remettez le bouchon en place sans trop serrer.

Bac

1. Appuyez sur l'interrupteur « A » pour le mettre sur la position « ARRÊT » (0).
2. Soulevez doucement la couche de combustible et placez-la soigneusement sur le sol.
3. Retirez le réservoir d'eau en le soulevant vers le haut.
4. Débranchez le connecteur électrique placé sur la droite du bac (Fig. 5).
5. Libérez les languettes se trouvant à droite du bac en les tournant à 90 degrés. Cela vous permet de soulever complètement le bac de son emplacement (Fig. 11)
6. Soulevez délicatement le bac en veillant à le maintenir de niveau de façon à ne pas renverser l'eau. Placez l'ensemble dans l'évier.
7. Détachez les languettes gauches du bac en les tournant à 90°, puis soulevez l'embout (Fig. 3)
8. Soulevez le transducteur et inclinez-le délicatement, comme illustré, de façon à vidanger le bac (Fig. 13)
9. Placez une petite quantité de détergent dans le bac et, à l'aide de la brosse fournie, nettoyez délicatement toutes les surfaces et le transducteur, ainsi que les disques métalliques qui se trouvent dans la surface rainurée supérieure (Fig. 14)
10. Après nettoyage, rincez abondamment le bac à l'eau claire pour supprimer toute trace de détergent.
11. Nettoyez l'embout à l'aide de la brosse et rincez soigneusement avec de l'eau (Fig. 15).
12. Répétez les étapes ci-dessus dans l'ordre inverse pour remonter l'ensemble.

Filtre à air

1. Soulevez doucement la couche de combustible et placez-la soigneusement sur le sol.
2. Faites coulisser délicatement le support en plastique du filtre à air vers le haut (Fig. 16).
3. Rincez-le soigneusement à l'eau dans l'évier et séchez-le avec une serviette en tissu avant de le remettre en place.
4. Remplacez le filtre en veillant à ce que la partie noire et épaisse soit tournée vers l'avant de l'insert.
5. Remplacez la couche de combustible.

Informations supplémentaires

SERVICE APRES-VENTE

Ce produit est garanti deux ans à partir de la date d'achat. Nous nous engageons pendant cette période à réparer ou échanger gratuitement cet appareil (à l'exception des ampoules et selon les disponibilités) s'il a été installé et utilisé conformément à ces instructions. Vos droits au titre de cette garantie s'ajoutent aux droits légaux qui ne sont pas modifiés par cette garantie.

RECYCLAGE



Pour les produits électriques vendus au sein de la Communauté Européenne - À la fin de leur durée de vie, les produits électriques ne doivent pas être mis au rebut avec les ordures ménagères. Veillez à les recycler dans les endroits prévus à cet effet. Renseignez-vous auprès des autorités locales ou de votre revendeur pour toute question concernant le recyclage dans votre pays.

BREVET / DEMANDE DE BREVET

Les produits de la gamme Optimyst sont protégés par un ou plusieurs brevets, nommément :

Grande-Bretagne GB 2402206, GB 2460259, GB 2460453, GB 2418014, GB 2465738, GB 2449925, GB 2465537, GB 2455277, GB1020534.2, GB1020537.5, GB1110987.3

États-Unis US 7967690, US 2010299980, US 2011062250, US 2008028648, US 13/167,042

Russie RU2008140317

Europe EP 2029941, EP 2201301, EP 2315976, EP 1787063, EP07723217.1, EP11170434.2, EP 11170435.9

Chine CN 101883953, CN 200980128666.2, CN 101057105, CN 101438104

Australie AU 2009248743, AU 2007224634

Canada CA 2725214, CA 2579444, CA 2645939

Demande de brevet international WO 2006027272

Afrique du Sud ZA 200808702

Mexique MX 2008011712

Corée KR 20080113235

Japon JP 2009529649

Brésil BR P10708894-9

Inde IN 4122/KOLNP/2008

Nouvelle-Zélande NZ 571900

Dépannage		
Problème	Cause	Action corrective
L'effet flamme ne démarre pas.	Le câble d'alimentation n'est pas branché sur une prise secteur. Niveau d'eau faible. Le connecteur basse tension n'est pas branché correctement (Fig. 5). Le transducteur ne repose pas convenablement dans le bac.	Assurez-vous que le connecteur basse tension est correctement branché. Vérifiez que le réservoir d'eau est plein et qu'il y a de l'eau dans le bac. Vérifiez que le connecteur est inséré correctement (Fig. 5). Assurez-vous que le transducteur repose dans l'alvéole du bac.
L'effet flamme est trop faible.	Le bouton de réglage de l'effet flamme est réglé trop bas (Fig. 10). Le disque métallique du transducteur est peut-être sale (Fig. 14). Le câble du transducteur passe sur le disque métallique.	Augmentez le niveau des flammes en tournant lentement le bouton de réglage « D » vers la gauche. (Fig. 10) Nettoyez le disque métallique à l'aide de la brosse souple fournie (Fig. 14). Reportez-vous au chapitre « Entretien » pour connaître la procédure étape par étape. Faites passer le câble à l'arrière du bac et assurez-vous qu'il sorte du bac par la fente latérale.
Une odeur désagréable se dégage lors de l'utilisation de l'appareil.	Eau sale ou stagnante. Utilisation d'eau du robinet non filtrée.	Nettoyez l'appareil comme décrit dans le chapitre « Entretien ». Utilisez uniquement de l'eau du robinet filtrée.
L'effet flamme produit trop de fumée.	L'effet flamme est réglé trop fort.	Tournez le bouton « D » de l'effet flamme vers la droite, d'un quart de tour à la fois. Laissez au générateur de flammes le temps de se régler avant d'effectuer un nouveau réglage (Fig. 10).
Les ampoules principales ne fonctionnent pas et il n'y a pas de flammes ni de fumée.	Il n'y a pas d'eau dans le réservoir.	Suivez les instructions des chapitres « Entretien » et « Remplissage du réservoir d'eau ». Assurez-vous que le câble d'alimentation est branché et que l'interrupteur « A » de la figure 10 est sur la position « MARCHE » (I).

Introducción

Por favor, lea atentamente esta guía informativa para instalar, utilizar y mantener con seguridad su producto.

Aviso de seguridad importante

Cuando use aparatos eléctricos, debería seguir siempre unas precauciones básicas para reducir el riesgo de incendio, descargas eléctricas y lesiones personales, entre las que se encuentran las siguientes:

1. ADVERTENCIA



No coloque materiales ni ropa encima del aparato ni obstaculizando la circulación de aire a su alrededor.

Este aparato lleva una advertencia de NO CUBRIR.

2. DAÑOS

Si el aparato presenta daños, compruébelos con el proveedor antes de su instalación y utilización. Si el cable de alimentación eléctrica presenta daños debe ser reemplazado por el proveedor, el agente de reparaciones o por una persona de cualificación similar, para evitar riesgos.

3. COLOCACIÓN

No lo utilice en exteriores.

No lo utilice en las proximidades de una bañera, ducha o piscina.

No coloque la chimenea justo debajo de una toma de corriente o una caja de conexiones.

Cerciórese de que el mobiliario, cortinas o cualquier otro material combustible no se encuentran a menos de 1 metro del aparato.

4. POSICIÓN DEL ENCHUFE

El aparato debe de colocarse de modo que se pueda acceder al enchufe.

Mantenga el cable eléctrico alejado de la parte delantera del aparato.

5. DESCONEJIÓN

En caso de avería desenchufe el aparato de la toma de corriente.

Desenchufe el aparato cuando no lo use durante largos períodos de tiempo.

6. PROPIETARIO/USUARIO

Este dispositivo puede ser empleado por personas mayores de 8 años de edad y personas con facultades físicas, sensoriales o mentales reducidas, o con falta de experiencia y conocimiento, siempre y cuando reciban instrucciones adecuadas sobre la utilización del dispositivo o estén bajo la supervisión de una persona responsable. Los niños no deberán jugar con el dispositivo. Los niños no deberán limpiar o realizar el mantenimiento del dispositivo si no está bajo la supervisión de una persona responsable.

Deberá mantener el dispositivo alejado de niños menores de tres años de edad, a no ser que estos estén bajo la supervisión de una persona responsable. Los niños con edades comprendidas entre tres y ocho años solamente podrán activar o desactivar el dispositivo cuando este esté colocado o instalado en las condiciones normales de funcionamiento y siempre y cuando reciban instrucciones adecuadas sobre la utilización del dispositivo o estén bajo la supervisión de una persona responsable. Los niños con edades comprendidas entre tres y ocho años no deberán activar, regular, limpiar o realizar el mantenimiento del dispositivo.

7. ELECTRICIDAD

Advertencia: Para evitar riesgos por reconexión accidental del disyuntor térmico, la alimentación de este aparato no debe proceder de un dispositivo de conexión externo, como por ejemplo un temporizador, ni conectarse a un circuito encendido y apagado regularmente por la empresa proveedora del fluido eléctrico.

PELIGRO: algunas piezas de este producto pueden calentarse y provocar quemaduras. Es necesario prestar especial atención en situaciones en las que estén presentes niños o personas vulnerables.

ADVERTENCIA – Para evitar el sobrecalentamiento, no cubra el aparato.

Información general

Use únicamente agua de grifo filtrada en este aparato.

Asegúrese siempre de que el aparato está apoyado en una superficie plana.

Aunque esta estufa cumple con las normas de seguridad, no es aconsejable colocarla sobre alfombras muy mullidas o de pelo largo.

Recuerde: si utiliza el aparato en un lugar muy silencioso, es posible que escuche un ruido debido al funcionamiento del efecto de llama. Esto es algo normal y no debe ser motivo de preocupación.

Si este producto sufre una subida de tensión por alguna razón, el producto puede desconectarse. Se trata de una función de seguridad normal y el producto reanuda el funcionamiento después de 30 segundos.

Una vez instalado, no mueva el aparato ni lo apoye sobre su parte posterior sin extraer el agua del sumidero y el depósito de agua.

Si no tiene previsto usar el aparato durante más de dos semanas, extraiga el agua del sumidero y el depósito de agua, y seque el sumidero.

El depósito de agua, el sumidero, la tapa del sumidero, la tapa del depósito y los filtros de aire se deben limpiar cada dos semanas, especialmente en zonas de agua dura.

No se debe hacer funcionar el aparato si las bombillas no se encienden.

Las bombillas se deben revisar con regularidad, tal como se describe en “Mantenimiento” y “Cambio de bombillas”.

Instrucciones de instalación

En esta sección se describe cómo configurar la chimenea.

ANTES DE EMPEZAR

1. Asegúrese de retirar todos los elementos del embalaje (lea atentamente las etiquetas de advertencia) y guarde el embalaje para poder utilizarlo en el futuro, por ejemplo para trasladar o devolver el aparato al proveedor.
2. Antes de conectar el aparato compruebe que la tensión de la fuente de alimentación coincida con la indicada en la estufa.

Instalación en una chimenea

1. Cuando instale la unidad en una chimenea, asegúrese de que ésta sea adecuada para la unidad (Fig. 18). **La chimenea debe disponer de un orificio de ventilación delantero de al menos 88 cm². Garantizar la circulación del aire en la unidad es fundamental – de lo contrario el efecto de llama Opti-myst no funcionará correctamente. Esta vía de aire no debe estar obstruida**
2. Retire los 4 soportes de separación de la parte delantera de la unidad (Fig. 19)
3. Coloque la unidad desde la parte trasera en la chimenea asegurándose de que se encuentra en el centro de la misma. Utilice tornillos adecuados (no proporcionados) para fijar la unidad (Fig. 20)
4. Asegúrese de que la chimenea se encuentre a 1 metro de una toma de alimentación (Fig. 21)

Instalación en una pared o cavidad vacía

1. Tenga en cuenta las dimensiones del producto indicadas en la Fig. 1 y cree una estructura adecuada para la unidad que se encuentre a menos de 1 metro de una toma de alimentación (Fig. 22). Utilice tornillos adecuados (no proporcionados) para fijar la unidad
2. Tenga en cuenta las ranuras de ventilación de la unidad. Están situadas en la base delantera y parte inferior de la unidad
3. Prepare la pared de colocación de la unidad utilizando los soportes de separación como guía.
4. **La chimenea debe disponer de un orificio de ventilación delantero de al menos 88 cm². Garantizar la circulación del aire en la unidad es fundamental – de lo contrario el efecto de llama Opti-myst no funcionará correctamente. Esta vía de aire no debe estar obstruida. Para consultar ejemplos sobre ventilación en paredes o cavidades vacías observe la Fig. 23**

Conexión de la unidad del transductor y las bombillas

1. Libere las dos lengüetas rojas girándolas 90 grados (Fig. 2).
2. Levante la boquilla de sumidero (Fig. 3).
3. Inserte las bombillas en los portalámparas (Fig. 4), localizando cuidadosamente las clavijas en los orificios (Fig. 4a).
4. Empuje firmemente las bombillas en su posición.
5. Coloque la unidad del transductor en el sumidero y una el cable al conector del sumidero (Fig. 5).
6. Para asegurarse de que la unidad del transductor está correctamente colocada en el sumidero, la pestaña de la unidad del transductor debe estar alineada con el hueco moldeado en el sumidero (Fig. 5a).
7. Asegúrese de que el cable no está colocado por encima del disco en la unidad de transductor (Fig. 5b). Para evitar que el cable quede pinzado entre la boquilla y el sumidero, coloque el cable en la ranura en la pared del sumidero.
8. Vuelva a colocar la boquilla del sumidero y asegúrela girando 90 grados las dos pestañas rojas (Fig. 6).

Llenado del depósito de agua

9. Coloque el depósito de agua en un fregadero y retire la tapa (gire hacia la izquierda para abrirla) (Fig. 7).

10. Llene el depósito solo con **agua del grifo filtrada**. Esto es necesario para prolongar la vida útil de la unidad de generación de la llama y el humo. El agua debe filtrarse con una unidad de filtración de agua convencional y el filtro debe sustituirse con regularidad. El agua destilada **no debe** utilizarse.
11. Vuelva a colocar la tapa. **No apriete excesivamente**.
12. Coloque el tanque de agua en el sumidero, con la tapa del depósito hacia abajo y el lado plano del depósito hacia fuera (Fig. 8).

Montaje de la chimenea

13. Coloque la base del combustible sobre el depósito de agua y la boquilla nebulizadora (Fig. 9).

Uso de la chimenea


En esta sección se describe cómo activar la chimenea usando los controles manuales o el mando a distancia.

CONTROLES MANUALES


Los controles manuales están situados debajo de la aleta basculante. (Para ver la distribución de los controles manuales, consulte la Fig. 10).


Interruptor "A": controla el suministro eléctrico a la chimenea.


Advertencia: Este interruptor debe estar en la posición "ENCENDIDO" (I) para que la chimenea pueda funcionar con o sin calor.

Interruptor "B": pulse  una vez para activar el efecto de llama. Escuchará una señal acústica. Aunque las luces principales se encenderán de inmediato, el efecto de llama tardará unos 30 segundos en empezar a funcionar.

Pulse  de nuevo para activar el efecto de llama y calor medio. Oirá dos señales acústicas.

Pulse  de nuevo para activar el efecto de llama y el calor máximo. Oirá tres señales acústicas.

Pulse  de nuevo para volver al efecto de llama únicamente. Oirá una señal acústica.

Pulse  para poner la chimenea en el modo de espera. Oirá una señal acústica.

Perilla de control "C": controla el ajuste del termostato.

Gire la perilla hacia la izquierda para reducir el ajuste de temperatura y hacia la derecha para aumentarlo.

Perilla de control "D": controla la intensidad del efecto de llama.

Gire la perilla hacia la izquierda para aumentar el efecto de llama, y hacia la derecha para reducirlo.

AJUSTE DEL TERMOSTATO

Asegúrese de que la chimenea esté conectada y encienda la unidad con el ajuste de calor completo. Gire la perilla de control "C" hasta el tope hacia la derecha (temperatura máxima) para calentar rápidamente la habitación. Cuando la temperatura de la habitación sea la deseada, gire lentamente la perilla del termostato en sentido contrario hasta que el termostato haga clic y se apague. La estufa mantendrá la temperatura de la habitación al nivel elegido.

Advertencia: si la estufa no se enciende cuando el termostato está en un ajuste bajo, puede que se deba al hecho de que la temperatura de la habitación es superior al ajuste del termostato.

DISYUNTOR TÉRMICO DE SEGURIDAD

La estufa con ventilador incorpora un disyuntor térmico de seguridad para evitar daños por sobrecalentamiento.

El recalentamiento puede producirse si se obstruye de cualquier modo la salida del calor. Si el disyuntor se activa, desenchufe la estufa de la toma de corriente y deje pasar al menos 10 minutos antes de volver a enchufarlo. Antes de volver a conectar la estufa, retire la obstrucción de la salida de calor y siga utilizando el aparato con normalidad.

Precaución: para evitar que el disyuntor térmico del aparato se conecte accidentalmente, la alimentación no debe proceder de un dispositivo de conmutación externo, como puede ser un temporizador, y el aparato no debe estar conectado a un circuito activado y desactivado regularmente por la empresa proveedora del fluido eléctrico.

OBTENCIÓN DEL EFECTO LLAMA DESEADO

1. La perilla de control de la llama "D" (Fig.10) puede subirse o bajarse para dar un efecto más real.
2. En general, la llama parece más real cuando se gira perilla de control de la llama hacia abajo.
3. Dé un tiempo al generador de la llama para que reaccione a los cambios realizados.
4. La chimenea consume menos agua si se establece el efecto de llama en un nivel inferior.
5. No incline ni mueva la chimenea mientras haya agua en el depósito o el sumidero.
6. Asegúrese de que la chimenea está firmemente apoyada sobre una superficie plana.

FUNCIONAMIENTO DEL MANDO A DISTANCIA

En el panel de control, el interruptor A (consulte la Fig. 10) deberá estar en la posición de "ENCENDIDO" (I) para poder usar el mando a distancia.

El mando a distancia tiene tres botones (consulte la Fig.12). Para que funcione correctamente, el mando a distancia debe apuntarse hacia el frente de la rejilla (Fig 17). El mando a distancia incorpora las siguientes funciones:



Púlselo una vez para encender el efecto de llama únicamente.
Oirá una señal acústica.



Púlselo una vez para activar el efecto Calor a medio rendimiento y Llama.
Oirá dos señales acústicas.
Vuelva a pulsar para activar el calor máximo y el efecto de llama.
Oirá tres señales acústicas.



Modo de espera
Oirá una señal acústica.

Mantenimiento

CONSEJOS GENERALES

Use únicamente agua de grifo filtrada en este aparato.

Asegúrese siempre de que el aparato está apoyado en una superficie plana.

Si no tiene previsto usar el aparato durante más de dos semanas, extraiga y vacíe el depósito y el sumidero.

Una vez instalado, no mueva el aparato ni lo apoye sobre su parte posterior sin extraer el agua del sumidero y el depósito de agua.

No se debe hacer funcionar el aparato si las bombillas no se encienden.

Las bombillas se deben revisar con regularidad, tal como se describe en “Cambio de bombillas”.

LLENADO DEL DEPÓSITO DE AGUA

Cuando el depósito de agua esté vacío, los efectos de llama y humo se detengan y escuche dos señales acústicas, proceda como sigue.

1. Coloque el interruptor “A” en **(0)** (Fig.10).
2. Saque con suavidad la base del combustible y colóquela cuidadosamente al lado.
3. Retire el depósito de agua levantándolo hacia arriba y extrayéndolo.
4. Coloque el depósito de agua en un fregadero y retire la tapa (gire hacia la izquierda para abrirla) (Fig. 7).
5. Llene el depósito solo con **agua del grifo filtrada**. Esto es necesario para prolongar la vida útil de la unidad de generación de la llama y el humo.

El agua debe filtrarse con una unidad de filtración de agua convencional y el filtro debe sustituirse con regularidad.

6. Vuelva a colocar la tapa sin apretar en exceso.
7. Vuelva a colocar el depósito en el sumidero, con la tapa del depósito hacia abajo y el lado plano hacia afuera (Fig. 8).
8. Vuelva a colocar con cuidado la base del combustible en su posición (Fig. 9).
9. Sitúe el interruptor “A” en la posición “ENCENDIDO” **(i)** (Fig.10).

CAMBIO DE LAS BOMBILLAS

Si el humo parece gris o incoloro, es posible que se haya fundido una o varias bombillas.

Puede comprobar el estado de las bombillas de la siguiente manera.

1. Dejando encendido el efecto de llama, saque la base del combustible y el depósito de agua.
2. Deben poder verse las bombillas con la boquilla puesta en su lugar para comprobar cuáles deben cambiarse.
3. Sitúe el interruptor “A” en la posición “APAGADO” y desconecte la chimenea de la red.
4. Deje reposar el aparato durante 20 minutos para que las bombillas se enfríen antes de retirarlas.
5. Retire el sumidero tal como se describe en la sección Limpieza.
6. Retire la bombilla defectuosa levantándola suavemente en vertical y desenganchando las clavijas del portalámparas (consulte las Fig. 4 y 4a).

Sustitúyala por una bombilla tintada OPTIMYST de 12 V, 45W, base Gu5.3, ángulo de haz de luz 8° (adquierala su proveedor).

7. Introduzca cuidadosamente las dos clavijas de la nueva bombilla en los dos orificios del portalámparas. Insértela con firmeza hasta que quede instalada (consulte las Fig. 4 y 4a).
8. Vuelva a colocar el sumidero, la boquilla, el depósito de agua y la base de combustible.

LIMPIEZA

Advertencia Sitúe siempre el interruptor “A” en la posición “APAGADO” **(0)** (Fig. 10) y desconecte la alimentación de la chimenea antes de limpiarla.

Se recomienda limpiar los siguientes componentes cada 2 semanas, sobre todo en zonas de agua dura: depósito de agua, sumidero, junta, tapa y junta del depósito, filtro de agua.

Para la limpieza general, emplee una bayeta limpia y suave; nunca utilice productos de limpieza abrasivos.

Para eliminar las acumulaciones de polvo o pelusa en la rejilla de salida del calefactor puede utilizar ocasionalmente el cepillo más suave de la aspiradora.

Depósito de agua

1. Retire el depósito de agua tal como se describe más arriba, colóquelo en el fregadero y vacíe el agua.
2. Limpie suavemente las superficies interiores de la tapa con el cepillo suministrado, y preste especial atención a la junta de goma de la ranura exterior y a la junta de goma del centro.
3. Coloque una pequeña cantidad de líquido para lavavajillas en el depósito, cierre la tapa y sacuda bien; aclare hasta que desaparezca todo vestigio del líquido lavavajillas.
4. Llene el depósito con agua del grifo filtrada únicamente y cierre la tapa sin apretar en exceso.

Sumidero

1. Sitúe el interruptor "A" en la posición "APAGADO" (0).
2. Saque con suavidad la base del combustible y colóquela con cuidado en el suelo.
3. Retire el depósito de agua levantándolo hacia arriba.
4. Desenchufe el conector eléctrico, que se encuentra en la parte derecha del sumidero (Fig. 5).
5. Suelte las lengüetas de cierre situadas a la derecha del sumidero girándolas 90°. De este modo puede levantar por completo el sumidero de su ubicación (Fig. 11).
6. Levante con cuidado el sumidero, teniendo la precaución de mantenerlo horizontal para evitar que se derrame el líquido. Apoye el conjunto en el fregadero.
7. Suelte las lengüetas de cierre situadas a la izquierda del sumidero girándolas 90° y levante la boquilla (Fig. 3).
8. Levante el transductor e incline con cuidado, tal como se muestra, de manera que se vacíe el líquido del sumidero (Fig. 13).
9. Vierta una pequeña cantidad de líquido para lavavajillas en el sumidero y, con el cepillo suministrado, limpie suavemente todas las superficies y el transductor, incluidos los discos metálicos situados en la superficie ranurada superior (Fig. 14).
10. Una vez limpio, aclare exhaustivamente el sumidero con agua limpia para eliminar todos los vestigios de líquido para lavavajillas.
11. Limpie la boquilla con el cepillo y aclare bien con agua (Fig. 15).
12. Siga los pasos anteriores en sentido inverso para volver a montar el conjunto.

Filtro de aire

1. Saque con suavidad la base del combustible y colóquela con cuidado en el suelo.
2. Deslice suavemente hacia arriba el filtro de aire sacándolo del soporte de plástico (Fig. 16).
3. Aclare con cuidado con agua en el fregadero y seque con un paño antes de volver a colocarlo.
4. Sustituya el filtro asegurándose de que el filtro negro grueso esté orientado hacia el frente de la chimenea.
5. Vuelva a colocar la base del combustible.

Información adicional

SERVICIO POSTVENTA

El producto está garantizado durante dos años a partir de la fecha de compra. Dentro de este periodo, nos comprometemos a reparar o cambiar este producto gratuitamente (excepto las bombillas, y sujeto a disponibilidad) siempre que se haya instalado y usado de acuerdo con estas instrucciones. Sus derechos bajo las condiciones de esta garantía no sustituyen a sus derechos establecidos por la ley, que a su vez no se ven afectados por los derechos establecidos en esta garantía.

RECICLAJE



Para los productos eléctricos vendidos en la Comunidad Europea. Los productos eléctricos que han agotado su vida útil no deben desecharse junto con la basura doméstica. Entréguelos para su reciclado en instalaciones apropiadas. Consulte a las autoridades locales o su proveedor para obtener información acerca del reciclaje en su país.

PATENTE / SOLICITUD DE PATENTE

Los productos de la gama Opti-myst están protegidos por una o varias de las siguientes patentes y solicitudes de patente:

Gran Bretaña GB 2402206, GB 2460259, GB 2460453, GB 2418014, GB 2465738, GB 2449925, GB 2465537, GB 2455277, GB1020534.2, GB1020537.5, GB1110987.3

Estados Unidos US 7967690, US 2010299980, US 2011062250, US 2008028648, US 13/167,042

Rusia RU 2008140317

Europa EP 2029941, EP 2201301, EP 2315976, EP 1787063, EP07723217.1, EP11170434.2, EP 11170435.9

China CN 101883953, CN 200980128666.2, CN 101057105, CN 101438104

Australia AU 2009248743, AU 2007224634

Canadá CA 2725214, CA 2579444, CA 2645939

Solicitud de patente internacional WO 2006027272

Sudáfrica ZA 200808702

México MX 2008011712

Corea KR 20080113235

Japón JP 2009529649

Brasil BR P10708894-9

India IN 4122/KOLNP/2008

Nueva Zelanda NZ 571900

Resolución de problemas

Síntoma	Causa	Acción correctiva
No se produce el efecto de llama.	<p>El cable de alimentación no está enchufado.</p> <p>Nivel de agua bajo.</p> <p>El conector de baja tensión no está enchufado correctamente (Fig.5).</p> <p>La unidad del transductor no está correctamente colocada en el sumidero.</p>	<p>Compruebe que el enchufe está correctamente conectado a la toma de corriente.</p> <p>Compruebe que el depósito de agua está lleno y que hay agua en el sumidero.</p> <p>Compruebe que el conector está correctamente insertado (Fig.5).</p> <p>Compruebe que el transductor esté bien apoyado en el encaje moldeado en el sumidero.</p>
El efecto de llama es muy bajo.	<p>La perilla de control del efecto de llama está en una posición demasiado baja (Fig.10).</p> <p>Es posible que el disco metálico del transductor esté sucio (consulte la Fig.14).</p> <p>El cable de la unidad del transductor está apoyado en el disco metálico.</p>	<p>Aumente el nivel de la llama girando lentamente la perilla de control "C" hacia la izquierda (Fig.10).</p> <p>Limpe el disco metálico con el cepillo suministrado (consulte la Fig.14). Para obtener información sobre el procedimiento detallado, consulte la sección "Mantenimiento".</p> <p>Dirija el cable a la parte posterior del sumidero y asegúrese de que se apoye en la ranura lateral que sale del sumidero.</p>
Cuando está en uso, la unidad despiden un olor desagradable.	<p>Agua sucia o estancada.</p> <p>Uso de agua del grifo sin filtrar.</p>	<p>Limpe la unidad tal como se describe en la sección de mantenimiento.</p> <p>Use únicamente agua de grifo filtrada.</p>
El efecto de llama tiene demasiado humo.	El ajuste del efecto de llama está demasiado alto.	Gire la perilla de control "D" de efecto de llama hacia la derecha, aproximadamente $\frac{1}{4}$ de vuelta cada vez. Dé un poco de tiempo al generador de llama para que se ajuste a la nueva posición (Fig.10).
Las bombillas principales no se encienden y no hay llamas ni humo.	No hay agua en el depósito de agua.	<p>Siga las instrucciones de Mantenimiento, "Llenado del depósito de agua".</p> <p>Compruebe que el enchufe esté conectado a la toma de corriente correctamente y que el interruptor "A" fig. 10 está en la posición "ENCENDIDO" (I).</p>

Introdução

Leia este guia informativo atentamente para possibilitar uma instalação, utilização e manutenção do seu produto em segurança.

Aviso de Segurança Importante

Quando utilizar aparelhos eléctricos, devem ser sempre seguidas as precauções básicas para reduzir o risco de incêndio, choque eléctrico e lesões para o ser humano, incluindo o seguinte:

1. AVISO



Não coloque nenhum tipo de material ou adorno sobre o aparelho nem obstrua a circulação do ar em redor do aparelho.

Este aparelho tem um aviso que indica que **NÃO DEVE SER COBERTO**.

2. DANOS

Se o aparelho estiver danificado, verifique com o fornecedor antes da instalação e da colocação em funcionamento.

Se o cabo de alimentação estiver danificado, deverá ser substituído pelo fabricante ou respectivo agente de assistência, ou uma pessoa qualificada para evitar perigo.

3. LOCALIZAÇÃO

Não use o aparelho no exterior.

Não use o aparelho próximo da banheira, duche ou piscina.

Não coloque a lareira imediatamente sob uma tomada fixa ou uma caixa de ligação.

Certifique-se de que o mobiliário, cortinas ou outro material combustível estão posicionados a uma distância não inferior a 1 metro do aparelho.

4. POSICIONAMENTO DA LIGAÇÃO

O aparelho deve ser posicionado de modo a que a ficha fique acessível.

Mantenha o cabo de alimentação afastado da frente do aparelho.

5. DESLIGAR

Em caso de avaria, desligue o aparelho.

Desligue o aparelho quando não o for usar durante longos períodos.

6. PROPRIETÁRIO/UTILIZADOR

Este aparelho pode ser utilizado por crianças a partir dos 8 anos de idade e pessoas com capacidades físicas, sensoriais ou mentais reduzidas ou com falta de experiência e conhecimentos, caso sejam supervisionadas ou tenham recebido instruções relacionadas com a utilização do aparelho em segurança e compreendam os perigos envolvidos. As crianças não devem brincar com o aparelho. A limpeza e a manutenção pelo utilizador não devem ser realizadas por crianças sem supervisão.

Manter as crianças com menos de 3 anos afastadas, exceto se forem constantemente supervisionadas. As crianças a partir dos 3 anos até aos 8 anos só devem ligar ou desligar o aparelho desde que este tenha sido colocado ou instalado na sua posição de funcionamento normal e as crianças sejam supervisionadas ou tenham recebido instruções relacionadas com a utilização do aparelho em segurança e compreendam os perigos envolvidos. As crianças a partir dos 3 anos até aos 8 anos não devem ligar, regular e limpar o aparelho ou realizar a manutenção pelo utilizador.

7. ELECTRICIDADE

Aviso: Para evitar perigos devido a uma reinicialização inadvertida do disjuntor térmico, este aparelho não deve ser alimentado através de um disjuntor externo como, por exemplo, um temporizador, nem ligado a um circuito que seja ligado e desligado regularmente pela companhia de electricidade.

ATENÇÃO - Algumas peças deste produto podem ficar muito quentes e provocar queimaduras.

Deve-se ter especial atenção quando estiverem presentes crianças e pessoas vulneráveis.

AVISO - Para evitar um sobreaquecimento, não cubra o aparelho.

Informações Gerais

Utilize apenas água filtrada neste aparelho.

Certifique-se sempre de que o aparelho está colocado numa superfície nivelada.

Apesar de este aquecedor cumprir com todos os requisitos de segurança, não recomendamos a sua utilização em carpetes profundos ou em tapetes de pêlos compridos.

Tenha em atenção: Se o aparelho for utilizado num ambiente onde o ruído de fundo seja bastante baixo, é possível que ouça um som relacionado com o funcionamento do efeito chama. Isto é normal e não deve preocupar-se.

Se este produto for sujeito a um pico de corrente por algum motivo, o produto pode desligar-se. Esta função de segurança é normal e o produto voltará a funcionar após 30 segundos.

Uma vez instalado, não volte este aparelho nem o deite de costas, sem que tenha escoado a água do reservatório e do tanque.

Se tem intenções de não utilizar o aparelho por mais de 2 semanas, escoe a água do reservatório e do tanque e seque o reservatório.

O tanque de água, o reservatório, a tampa do reservatório, o tampão do tanque e os filtros do ar devem ser limpos de duas em duas semanas, especialmente em áreas de água pesada.

O aparelho nunca deve ser colocado em funcionamento se as lâmpadas não estiverem a funcionar.

As lâmpadas devem ser inspecionadas com regularidade, como descrito na secção “Manutenção” e “Trocar as lâmpadas”.

Instruções de instalação

Esta secção descreve a forma de configurar a salamandra.

ANTES DE COMEÇAR

1. Certifique-se de que retirou todos os itens da embalagem (leia cuidadosamente quaisquer etiquetas de aviso) e guarde a embalagem completa para utilização futura, em caso de mudança ou devolução ao seu fornecedor.
2. Antes de ligar o aparelho, verifique se a tensão de alimentação corresponde à indicada na salamandra.

Instalação numa cornija de lareira

1. Quando instalar este aparelho numa cornija de lareira, por favor assegure-se de que escolhe uma cornija adequada para o seu aparelho (Fig. 18). **Deve haver uma entrada de ar na parte da frente da cornija da lareira de pelo menos 88 cm². É essencial garantir que o ar pode circular no aparelho - caso contrário o efeito de chama Opti-myst não funcionará corretamente. Esta via de ar não deve estar obstruída**
2. Retire os 4 suportes de espaçamento na parte frontal do aparelho (Fig 19)
3. Faça o aparelho deslizar para a cornija da lareira totalmente a partir de trás garantindo que fica assente no centro da cornija. Usando parafusos adequados (não fornecidos) fixe o aparelho no lugar (Fig 20)
4. Certifique-se de que posiciona a lareira a 1 m de uma tomada (Fig 21)

Instalação numa parede ou cavidade rebaixada

1. Observe as dimensões do produto na Fig 1 e construa uma estrutura adequada para encaixar o aparelho a 1 m de uma tomada (Fig 22). Usando parafusos adequados (não fornecidos) fixe o aparelho no lugar
2. Observe as ranhuras de ventilação no aparelho. Estão localizadas na base frontal e sob o aparelho
3. Construa a parede contra o aparelho usando os suportes de espaçamento como guia.
4. **Deve haver um respiradouro na parte frontal da estrutura de pelo menos 88 cm². É essencial garantir que o ar pode circular no aparelho - caso contrário o efeito de chama Opti-myst não funcionará corretamente. Esta via para o ar não deve estar obstruída. Para exemplos de respiradouros na parede ou cavidade rebaixada, veja a Fig 23**

Ligar a unidade do transdutor + lâmpadas

1. Solte as duas abas vermelhas rodando-as 90° (Fig 2)
2. Retire o bocal do reservatório (Fig 3)
3. Insira lâmpadas nos suportes das lâmpadas (Fig 4), localizando cuidadosamente os pinos nos orifícios (Fig 4a)
4. Pressione as lâmpadas com firmeza no respetivo local.
5. Coloque a unidade do transdutor no reservatório e ligue o cabo ao conector no reservatório (Fig 5)
6. Para garantir que a unidade do transdutor está colocada corretamente no reservatório, a aba na unidade do transdutor deve estar alinhada com a reentrância no reservatório (Fig 5a).
7. Certifique-se de que o cabo não está colocado acima do disco na unidade do transdutor (Fig 5b). Para evitar que o cabo fique entalado entre o bocal e o reservatório, coloque o cabo na ranhura na parede do reservatório.
8. Volte a colocar o bocal do reservatório e fixe-o rodando as duas abas vermelhas 90° (Fig 6)

Encher o tanque da água

9. Coloque o tanque da água no lava-louça e retire o tampão (rode no sentido oposto ao dos ponteiros do relógio para abrir) (Fig 7)
10. Encha o tanque da água **apenas com água da torneira filtrada**. Isto é necessário para prolongar o tempo de vida da chama e da unidade de produção de fumo. A água deve ser filtrada através de uma unidade doméstica

convencional de filtragem de água e o filtro deve ser substituído regularmente. Não deve ser usada **água** destilada.

11. Volte a colocar o tampão – **sem apertar demasiado**.

12. Coloque o tanque da água no reservatório, com o tampão do tanque voltado para baixo e a superfície plana voltada para fora (Fig 8)

Montagem da salamandra

13. Coloque a camada de combustível no topo do tanque da água e bocal de condensação (Fig 9)

Utilização da Salamandra


Esta secção descreve a forma de ativar a salamandra utilizando os controlos manuais ou o controlo remoto.

CONTROLOS MANUAIS


Os controlos manuais estão localizados por baixo da aba articulada (Fig. 10 para a disposição dos Controlos manuais).


Interruptor “A” - Controla o fornecimento de electricidade à salamandra.


Nota: Este interruptor tem de estar na posição de ligado (I) para que a salamandra funcione com ou sem calor.

Interruptor “B”:- Pressione  uma vez para acionar o efeito chama. Isto será indicado por um sinal sonoro. Embora as luzes principais funcionem imediatamente, demora mais 30 segundos até iniciar o efeito chama.

Pressione  novamente para obter o efeito chama e metade do calor. Isto será indicado por dois sinais sonoros.

Pressione  novamente para obter o efeito chama e a totalidade do calor. Isto será indicado por três sinais sonoros.

Pressione  novamente para regressar apenas ao efeito chama. Isto será indicado por um sinal sonoro.

Pressione  para colocar a salamandra em modo de espera. Isto será indicado por um sinal sonoro.

Botão de controlo “C”:- Controla a opção do Termóstato.

Rodando o botão de controlo para a esquerda diminui a opção de temperatura , rodando o botão de controlo para a direita aumenta a opção de temperatura.

Botão de controlo “D”:- Controla a intensidade do efeito de chama.

Rodando o botão de controlo para a esquerda aumenta o efeito de chama, rodando o botão de controlo para a direita diminui o efeito chama.

CONFIGURAÇÃO DO TERMÓSTATO

Certifique-se de que a salamandra está ligada e coloque-a na definição de totalidade do calor. Rode totalmente o botão de controlo “C” para a direita (definição de temperatura máxima) para aquecer a divisão rapidamente. Quando a divisão tiver alcançado o nível de temperatura desejado, rode o botão do termóstato para trás devagar até o termóstato se desligar com um clique. O aquecedor manterá a temperatura da divisão ao nível pretendido.

1. Deixando o efeito chama ligado, retire a camada de combustível e o tanque da água.
2. Deverá ser possível ver as lâmpadas com o bocal no local e observar qual delas necessita de ser trocada.
3. Coloque o Interruptor “A” na posição “Desligado” e desligue a salamandra da rede elétrica.
4. Não mexa no equipamento durante 20 minutos para permitir que as lâmpadas arrefeçam antes de as remover.
5. Remova o reservatório conforme descrito na secção Limpeza.
6. Remova a lâmpada defeituosa, levantando-a cuidadosamente na vertical e desencaixando os pinos do suporte da lâmpada, (Fig. 4 e 4a).

Substitua por uma lâmpada colorida, com uma largura de feixe de 8°, base Gu5.3, 45 W, 12 V, OPTIMYST (Adquirida no seu fornecedor).

7. Insira cuidadosamente os dois pinos da lâmpada nova nos dois orifícios do suporte da lâmpada. Pressione com firmeza. (Fig.4 e 4a).
8. Volte a colocar o reservatório, o bocal, o tanque da água e a camada de combustível.

DISJUNTOR TÉRMICO DE SEGURANÇA

O aquecedor está equipado com um disjuntor térmico de segurança para prevenir danos provocados por sobreaquecimento.

Esta situação pode acontecer em caso de obstrução da tomada. Se o disjuntor disparar, desligue o aquecedor da tomada

elétrica e aguarde aproximadamente 10 minutos antes de o voltar a ligar. Antes de voltar a ligar o aquecedor, remova qualquer obstrução que possa estar a obstruir a saída de calor, depois, continue com o funcionamento normal.

Aviso: Para evitar um perigo devido a uma reinicialização inadvertida do disjuntor térmico, este aparelho não deve ser alimentado através de um disjuntor externo como, por exemplo, um temporizador, nem ligado a um circuito que seja ligado e desligado regularmente pela companhia de electricidade.

OBTER O EFEITO CHAMA DESEJADO

1. O botão de controlo “D” da chama (Fig. 10) pode ser rodado para cima ou para baixo para se obter um efeito mais realista.

2. Geralmente, as chamas parecem mais realistas quando o botão de controlo da chama está rodado para baixo.
3. Dê algum tempo ao gerador da chama para reagir a alterações efetuadas.
4. A salamandra irá utilizar menos água se o efeito chama for definido para um nível mais baixo.
5. Não incline nem mova a salamandra enquanto existir água no reservatório ou tanque.
6. Certifique-se de que a salamandra se encontra num piso nivelado.

FUNCIONAMENTO DO CONTROLO REMOTO

No painel de controlo, o Interruptor A (Fig. 10) deve de estar na posição "ON" (I) para permitir o funcionamento do controlo remoto.

Existem 3 botões no controlo remoto. (Fig.12) Para funcionar corretamente, o controlo remoto deve ser apontado na direção da frente da grade. (Fig 17). As funções do controlo remoto são as seguintes:



Pressione uma vez para acionar apenas o efeito de Chama.
Isto será indicado por um sinal sonoro.



Pressione uma vez para acionar metade do calor e o efeito de chama.
Isto será indicado por dois sinais sonoros.

Pressionar novamente para acionar a totalidade do calor e o efeito de chama.
Isto será indicado por três sinais sonoros.



Standby
Isto será indicado por um sinal sonoro.

Manutenção

SUGESTOES GERAIS

Utilize apenas água da torneira filtrada neste aparelho.

Certifique-se sempre de que o aparelho está colocado numa superfície nivelada.

Se tem intenções de não utilizar o aparelho por mais de 2 semanas, remova e esvazie o reservatório e o tanque da água.

Uma vez instalado, não volte este aparelho nem o deite de costas, sem que tenha escoado a água do reservatório e do tanque.

O aparelho nunca deve ser colocado em funcionamento se as lâmpadas não estiverem a funcionar.

As lâmpadas devem ser inspecionadas com regularidade, como descrito na secção "Trocar as lâmpadas".

ENCHER O TANQUE DA ÁGUA

Quando o tanque da água estiver vazio, o efeito de chama e fumo se desligarem e ouvir 2 sinais sonoros, execute os passos seguintes.

1. Pressione o interruptor "A" para (0) (Fig.10).
 2. Levante suavemente a camada de combustível e coloque-a cuidadosamente de lado.
 3. Remova o tanque da água levantando-o para cima e para fora.
 4. Coloque o tanque da água no lava-louça e retire o tampão, rodando no sentido oposto ao dos ponteiros do relógio para abrir (Fig 7).
 5. Encha o tanque apenas com água da torneira filtrada. Isto é necessário para prolongar o tempo de vida da chama e da unidade de produção de fumo.
- A água deve ser filtrada através de uma unidade doméstica convencional de filtragem de água e o filtro deve ser substituído regularmente.
6. Volte a colocar o tampão, sem apertar demasiado.
 7. Volte a montar o tanque no reservatório, com o tampão do tanque voltado para baixo e a superfície plana voltada para fora (Fig 8).
 8. Coloque suavemente a camada de combustível de novo na sua posição (Fig 9).
 9. Pressione o interruptor "A" para a posição de "Ligado" (I) (Fig.10).

TROCAR AS LÂMPADAS

Caso surja um efeito de chama e fumo cinzento ou sem cor, é provável que uma ou mais lâmpadas se tenham fundido. Pode verificar a falha das lâmpadas da forma seguinte.

1. Deixando o efeito chama ligado, retire a camada de combustível e o tanque da água.
 2. Deverá ser possível ver as lâmpadas com o bocal no local e observar qual delas necessita de ser trocada.
 3. Coloque o Interruptor "A" na posição "Desligado" e desligue a salamandra da rede elétrica.
 4. Não mexa no equipamento durante 20 minutos para permitir que as lâmpadas arrefeçam antes de as remover.
 5. Remova o reservatório conforme descrito na secção Limpeza.
 6. Remova a lâmpada defeituosa, levantando-a cuidadosamente na vertical e desencaixando os pinos do suporte da lâmpada, (Fig. 4 e 4a).
- Substitua por uma lâmpada colorida, com uma largura de feixe de 8º, base Gu5.3, 45 W, 12 V, OPTIMYST (Adquirida no seu fornecedor).
7. Insira cuidadosamente os dois pinos da lâmpada nova nos dois orifícios do suporte da lâmpada. Pressione com

firmeza. (Fig.4 e 4a).

8. Volte a colocar o reservatório, o bocal, o tanque da água e a camada de combustível.

LIMPEZA

Aviso – Pressione sempre o interruptor “A” para a posição de desligado (0) (Fig.10) e desligue da corrente elétrica antes de limpar a salamandra.

Recomendamos a limpeza dos seguintes componentes de duas em duas semanas, especialmente em áreas de água dura: tanque de água, reservatório, bocal, tampão do tanque e vedante, filtro de ar.

Para uma limpeza geral, utilize um espanador macio e limpo – nunca utilize detergentes abrasivos.

Para remover a acumulação de pó ou algodão, poderá utilizar a escova macia de um aspirador para limpar a grelha de saída do termoventilador.

Tanque da água

1. Remova o tanque da água como descrito anteriormente, coloque-o no lava-louça e escoe a água.
2. Utilizando o pincel fornecido, esfregue cuidadosamente a superfície interior do tampão, prestando atenção em especial à anilha de borracha existente na ranhura exterior e ao vedante de borracha no centro.
3. Coloque uma pequena quantidade de líquido de lavagem no tanque, volte a colocar o tampão e agite bem, passe bem por água até que tenham desaparecido todos os vestígios do líquido de lavagem.
4. Volte a encher apenas com água da torneira filtrada, coloque o tampão, sem apertar demasiado.

Reservatório

1. Pressione o interruptor “A” para a posição de desligado (0).
2. Levante suavemente a camada de combustível e deposite-a cuidadosamente no chão.
3. Remova o tanque da água levantando-o para cima.
4. Desligue a ficha elétrica localizada do lado direito do reservatório (Fig.5).
5. Solte as abas de bloqueio direitas do reservatório rodando-as 90°. Isto permite levantar o reservatório completamente da sua localização (Fig. 11).
6. Levante cuidadosamente o reservatório, tendo cuidado para o manter nivelado e não derramar água. Coloque o conjunto no lava-louça.
7. Solte as abas de bloqueio esquerdas do reservatório rodando-as 90° e retire o bocal (Fig.3).
8. Retire o transdutor e incline cuidadosamente, conforme apresentado, de forma a escoar o líquido do reservatório (Fig.13).
9. Coloque uma pequena quantidade de líquido de lavagem no reservatório e, utilizando o pincel fornecido, limpe suavemente todas as superfícies do reservatório e o transdutor incluindo os discos de metal e a superfície ranhurada do topo (Fig.14).
10. Quando estiver limpo, enxagúe bem o reservatório com água limpa para remover todos os vestígios do líquido de lavagem.
11. Limpe o bocal com o pincel e passe bem por água (Fig.15).
12. Execute os passos acima descritos pela ordem inversa para voltar a montar.

Filtro de ar

1. Levante suavemente a camada de combustível e deposite-a cuidadosamente no chão.
2. Faça deslizar suavemente o filtro do ar para fora do seu suporte de plástico (Fig.16).
3. Passe-o cuidadosamente por água no lava-louça e seque com um pano antes de voltar a montar.
4. Volte a montar o filtro, certificando-se de que o filtro preto está voltado para a frente da salamandra.
5. Volte a colocar a camada de combustível.

Informações adicionais

ASSISTENCIA POS-VENDA

A garantia do seu produto é válida durante dois anos a partir da data de compra. Durante este período, responsabilizamos pela reparação ou troca gratuita deste produto (excluindo lâmpadas e estando sujeito à disponibilidade), desde que este tenha sido instalado e utilizado de acordo com estas instruções. Os seus direitos ao abrigo desta garantia são adicionados aos seus direitos estatutários que, por sua vez, não são afetados por esta garantia.

RECICLAGEM



Para produtos elétricos vendidos na Comunidade Europeia - Quando os produtos elétricos atingem o final da sua vida útil, não devem ser eliminados juntamente com o lixo doméstico. Faça a reciclagem nos locais apropriados. Contacte as autoridades locais ou o seu revendedor para obter mais informações sobre reciclagem no seu país.

PATENTE / PEDIDO DE PATENTE

Os produtos da gama Optimyst estão protegidos por uma ou mais das seguintes patentes e pedidos de patentes:

Reino Unido: GB 2402206, GB 2460259, GB 2460453, GB 2418014, GB 2465738, GB 2449925, GB 2465537, GB 2455277, GB1020534.2, GB1020537.5, GB1110987.3

Estados Unidos: US 7967690, US 2010299980, US 2011062250, US 2008028648, US 13/167,042

Rússia: RU2008140317

Europa: EP 2029941, EP 2201301, EP 2315976, EP 1787063, EP07723217.1, EP11170434.2, EP 11170435.9

China: CN 101883953, CN 200980128666.2, CN 101057105, CN 101438104

Austrália: AU 2009248743, AU 2007224634

Canadá: CA 2725214, CA 2579444, CA 2645939

Pedido de patente internacional: WO 2006027272

África do Sul: ZA 200808702

México: MX 2008011712

Coreia: KR 20080113235

Japão: JP 2009529649

Brasil: BR P10708894-9

Índia: IN 4122/KOLNP/2008

Nova Zelândia: NZ 571900

Resolução de problemas		
Sintomas	Causa	Ação corretiva
O efeito chama não funciona.	A tomada principal não está ligada. Nível da água baixo. A ficha elétrica de baixa tensão não está devidamente ligada (Fig.5). A unidade do transdutor não está devidamente colocada no reservatório.	Verifique se a ficha está ligada corretamente à tomada. Verifique se o tanque da água está cheio e se existe água no reservatório. Verifique se a ficha está inserida corretamente (Fig.5). Certifique-se de que o transdutor está assente na respetiva reentrância no reservatório.
O efeito chama está muito fraco.	O botão de controlo do efeito chama está regulado para um valor demasiado baixo (Fig.10). O disco de metal no transdutor pode estar sujo (Fig.14). O fio na unidade do transdutor está assente sobre o disco de metal.	Aumente o nível da chama rodando lentamente o botão de Controlo "D" para o lado esquerdo (Fig.10). Limpe o disco de metal com o pincel macio fornecido. (Fig. 14) Consulte a secção "Manutenção" para o procedimento passo-a-passo. Direcione o fio para a parte superior do reservatório e certifique-se de que assenta na ranhura lateral que sai do reservatório.
Quando utiliza a unidade sente um cheiro desagradável.	Água suja ou estagnada. Utilização de água da torneira não filtrada.	Limpe a unidade conforme descrito na secção de manutenção. Utilize apenas água da torneira filtrada.
O efeito chama produz demasiado fumo.	A opção do efeito chama está demasiado elevada.	Rode o botão de controlo "D" do efeito de chama para a direita, cerca de ¼ de cada vez. Dê algum tempo ao gerador de chama para se ajustar à nova definição (Fig.10).
As lâmpadas principais não funcionam e não existem chamas ou fumo.	Não existe nenhuma água no tanque.	Siga as instruções indicadas na secção Manutenção , "Encher o tanque da água". Verifique se a ficha está ligada corretamente à tomada de parede e se o interruptor "A" (Fig. 10) está na posição "LIGADO" (I).

Introduzione

Leggere con attenzione la presente guida per poter installare, utilizzare e conservare il prodotto nella massima sicurezza.

Istruzioni importanti per la sicurezza

Quando utilizzate apparecchi elettrici, dovrete sempre rispettare precauzioni di base per ridurre il rischio di incendi, shock elettrici e ferite a persone, incluse le seguenti:

1. AVVISO



Non posizionate materiali o indumenti su, né ostruite la circolazione dell'aria attorno all'apparecchio.

Quest'apparecchio porta un avviso di NON COPRIRLO.

2. DANNI

Se l'apparecchio è danneggiato, controllatelo assieme al fornitore prima di installarlo ed utilizzarlo. Se il cavo di alimentazione è danneggiato, dev'essere sostituito dal fornitore o da un agente per l'assistenza o da persona similmente qualificata per evitare pericoli.

3. POSIZIONAMENTO

Non utilizzate il prodotto all'esterno.

Non utilizzatelo nelle immediate vicinanze di vasche, docce o piscine.

Non posizionate il focolare direttamente sotto una presa a muro o una scatola di connessione. Assicuratevi che mobili, tende o altri materiali combustibili siano posizionati a non meno di un metro dall'apparecchio.

4. POSIZIONAMENTO DELLA SPINA

L'apparecchio dev'essere posizionato in modo che la spina sia accessibile.

Tenete il cavo di alimentazione lontano dalla parte anteriore dell'apparecchio.

5. SCOLLEGAMENTO

In caso di guasto, scollegate il dispositivo.

Scollegate il dispositivo quando non viene utilizzato per lunghi periodi.

6. PROPRIETARIO/UTENTE

Questa apparecchiatura può essere usata da bambini a partire dagli 8 anni e da adulti con limitate capacità fisiche, sensoriali o mentali o con scarsa esperienza o conoscenza sull'uso dell'apparecchiatura, solamente se sorvegliati o se sono stati istruiti relativamente all'uso dell'apparecchiatura e se hanno compreso i rischi coinvolti. Impedire ai bambini di giocare con l'apparecchiatura. La pulizia e la manutenzione non devono essere effettuate da bambini non sorvegliati.

In mancanza di costante supervisione, i bambini con meno di 3 anni di età devono essere tenuti a distanza. I bambini con età compresa tra i 3 e gli 8 anni possono accendere/spegnere l'apparecchiatura se la stessa è posizionata o installata nella normale posizione di funzionamento, se supervisionati o istruiti relativamente all'uso dell'apparecchiatura e se hanno compreso i rischi coinvolti. I bambini con un'età compresa tra i 3 e gli 8 anni non devono eseguire le operazioni di collegamento, regolazione, pulizia e manutenzione dell'apparecchiatura.

7. ELETTRICITA'

Avvertenza: per evitare il rischio di una reimpostazione involontaria dell'interruttore di sicurezza termico, questa apparecchiatura non deve essere alimentata da un dispositivo di commutazione esterno, come ad esempio un timer, né deve essere collegata a un circuito che viene regolarmente acceso e spento dalla società che eroga l'elettricità.

ATTENZIONE: alcune parti del prodotto possono diventare molto calde e provocare ustioni. È necessario prestare particolare attenzione in presenza di bambini e persone vulnerabili.

AVVISO- Per evitare il surriscaldamento, non coprite l'apparecchio.

Informazioni generali

Usare esclusivamente acqua filtrata per questo apparecchio.

Accertarsi sempre che l'apparecchio appoggi su una superficie piana.

Sebbene il prodotto sia conforme alle norme di sicurezza, se ne sconsiglia l'utilizzo su moquette o tappeti a pelo lungo. Nota: Se l'ambiente in cui viene usata la stufa è particolarmente silenzioso, è possibile percepire il rumore dell'effetto fiamma in funzione. Si tratta di un fenomeno del tutto normale che non deve suscitare preoccupazione.

In caso di sovratensione momentanea, qualunque ne sia il motivo, il prodotto si spegne automaticamente. Si tratta di una funzione di sicurezza: il prodotto si riattiverà dopo 30 secondi.

Una volta installato, non spostare l'apparecchio né appoggiarlo sul dorso senza aver vuotato la vasca di raccolta e il serbatoio dell'acqua.

Se si prevede di non utilizzare l'apparecchio per più di 2 settimane, vuotare la vasca di raccolta e il serbatoio dell'acqua e asciugare la vasca di raccolta.

Il serbatoio dell'acqua, la vasca di raccolta, il coperchio della vasca di raccolta, il tappo del serbatoio e i filtri dell'aria devono essere puliti una volta ogni due settimane, in particolare nelle zone con acqua dura.

L'apparecchio non deve mai essere messo in funzione se le lampadine non funzionano.

Le lampadine devono essere controllate regolarmente come descritto nella sezione "Manutenzione" e "Sostituzione delle lampadine".

Istruzioni per l'installazione

Questa sezione descrive come installare la stufa.

PRIMA DI INIZIARE

1. Accertarsi di aver rimosso tutti gli elementi dell'imballaggio (leggere con attenzione le etichette di avvertenza) e conservarli per eventuale necessità futura, ad esempio in caso di trasloco o restituzione dell'apparecchio al fornitore.
2. Prima di collegare la stufa all'alimentazione, verificare che la tensione di rete corrisponda alla tensione indicata sul prodotto.

Installazione in un caminetto

1. Se si installa quest'apparecchiatura in un caminetto, si prega di assicurarsi di scegliere un caminetto adatto all'apparecchiatura (Fig. 18). **Ci deve essere una presa d'aria nella parte anteriore del caminetto di almeno 88 cm². È fondamentale assicurarsi che l'aria circoli all'interno dell'apparecchiatura, altrimenti l'effetto fiamma Opti-myst non funzionerà correttamente. Questo passaggio dell'aria non deve essere ostruito**
2. Rimuovere le 4 staffe distanziali situate nella parte anteriore dell'apparecchiatura (Fig. 19)
3. Far scorrere completamente l'apparecchiatura nel camino dalla parte posteriore, assicurandosi che sia posizionata al centro del camino. Utilizzando delle viti adatte (non fornite) fissare l'apparecchio in posizione (Fig. 20)
4. Assicurarsi di posizionare la stufa entro 1 metro da una presa elettrica (Fig. 21)

Installazione in un muro o in una nicchia

1. Prendere nota delle dimensioni del prodotto in Fig. 1 e costruire una struttura adatta a contenere l'apparecchiatura, in modo che si trovi entro 1 metro da una presa elettrica (Fig. 22). Utilizzando delle viti adatte (non fornite) fissare l'apparecchiatura in posizione
2. Prendere nota delle fessure di ventilazione. Si trovano nella base anteriore e sotto l'apparecchiatura
3. Costruire il muro contro l'apparecchio usando le staffe distanziali come guida.
4. **Ci deve essere una presa d'aria nella parte anteriore della struttura di almeno 88 cm². È fondamentale assicurarsi che l'aria circoli all'interno dell'apparecchiatura, altrimenti l'effetto fiamma Opti-myst non funzionerà correttamente. Il passaggio dell'aria non deve essere ostruito. Per esempi di prese d'aria in un muro o in una nicchia, fare riferimento alla Fig. 23**

Installazione dell'Unità trasduttore e delle Lampadine

1. Sbloccare le due alette rosse, ruotandole di 90 gradi (Fig. 2).
2. Sollevare l'Ugello della Vasca di raccolta (Fig. 3).
3. Inserire le Lampadine nei portalamпада (Fig. 4), inserendo con attenzione i perni negli appositi alloggiamenti (Fig. 4a).
4. Spingere le Lampadine nella loro posizione.
5. Inserire l'Unità trasduttore nella vasca di raccolta e collegare il cavo al connettore presente sulla Vasca di raccolta (Fig. 5).
6. Per accertarsi che l'Unità trasduttore sia correttamente posizionata all'interno della Vasca di raccolta, l'aletta presente sull'Unità dovrà trovarsi allineata con il vano sagomato all'interno della Vasca (Fig. 5a).
7. Verificare che il cavo non si trovi al di sopra del disco dell'Unità trasduttore (Fig. 5b). Per evitare che il cavo possa impigliarsi tra l'Ugello e la Vasca, posizionare il cavo nell'incavo che si trova sulla parete della Vasca.
8. Sostituire l'Ugello della Vasca di raccolta ruotando le due alette rosse di 90 gradi (Fig. 6).

Riempimento del Serbatoio dell'acqua

9. Collocare il Serbatoio dell'acqua in un lavandino e rimuovere il tappo ruotandolo in senso antiorario (Fig. 7).
10. Riempire il Serbatoio dell'acqua esclusivamente con **acqua di rubinetto filtrata**. Questo è necessario per prolungare la vita dell'unità che produce fiamma e il fumo. L'acqua deve essere filtrata mediante un comune

sistema di filtraggio dell'acqua domestica e il filtro deve essere sostituito regolarmente. Evitare categoricamente **di utilizzare** acqua distillata.

11. Riavvitare il tappo, ma **non stringere eccessivamente**.

12. Rimettere il Serbatoio nella Vasca di raccolta, con il tappo rivolto verso il basso e il lato piatto del Serbatoio rivolto verso l'esterno (Fig. 8).

Montaggio della stufa

13. Posizionare il Piano del combustibile al di sopra del Serbatoio dell'acqua e dell'Ugello del vapore (Fig. 9).

Funzionamento del caminetto


Questa sezione descrive come installare il caminetto utilizzando i comandi manuali o il telecomando.


COMANDI MANUALI


I comandi manuali sono collocati sotto lo sportellino a cerniera (Fig. 10 per la posizione dei comandi manuali).

Interruttore "A":- comanda l'alimentazione elettrica della stufa.


Nota: Questo interruttore deve essere in posizione "ON" (I) se si desidera utilizzare la stufa con o senza calore.

Interruttore "B":- premere  una volta per attivare l'effetto fiamma. L'attivazione viene segnalata dall'emissione di un beep. Sebbene le luci principali si attivino immediatamente, saranno necessari altri 30 secondi prima dell'avviamento dell'effetto fiamma.

Premere  nuovamente per impostare l'effetto fiamma e il riscaldamento medio. L'attivazione verrà indicata dall'emissione di due segnali acustici.

Premere  nuovamente per impostare l'effetto fiamma e il riscaldamento massimo. L'attivazione verrà segnalata dall'emissione di tre segnali acustici.

Premere  nuovamente per tornare al solo effetto fiamma. La nuova impostazione verrà segnalata dall'emissione di un beep.

Premere  per impostare la stufa in modalità standby. La nuova impostazione verrà segnalata dall'emissione di un beep.

Manopola di controllo "C" - comanda l'impostazione del termostato.

Ruotando la manopola di controllo verso sinistra, la temperatura diminuisce; ruotandola invece verso destra, la temperatura aumenta.

Manopola di controllo "D":- controlla l'intensità dell'effetto fiamma.

Ruotando la manopola di controllo verso sinistra, l'effetto fiamma aumenta; ruotandola invece verso destra, l'effetto fiamma diminuisce.

IMPOSTAZIONE DEL TERMOSTATO

Accertarsi che la stufa sia collegata alla rete elettrica ed accenderla, impostandola alla massima potenza. Ruotare la manopola di controllo "C" completamente verso destra (impostazione max della temperatura), così da riscaldare rapidamente la stanza. Quando si è ottenuta la temperatura desiderata, girare la manopola del termostato in senso contrario finché non si sente scattare il termostato. La stufa mantiene la temperatura dell'ambiente al livello selezionato.

Nota: Se con il termostato impostato su un valore basso la stufa non si accende, è possibile che la temperatura dell'ambiente sia maggiore dell'impostazione del termostato.

INTERRUTTORI DI SICUREZZA TERMICI

L'aeroterma è dotato di un interruttore di sicurezza termico per la prevenzione di danni dovuti al surriscaldamento. Ciò può avvenire qualora l'emissione di aria calda venga in qualche modo ostacolata. Se scatta l'interruttore di sicurezza, scollegare la stufa dalla presa e attendere 10 minuti prima di ricollegarla. Prima di riaccendere la stufa rimuovere eventuali ostruzioni che possano occludere l'uscita dell'aria calda, quindi riprendere il normale funzionamento.

Attenzione: per evitare il rischio di una reimpostazione involontaria dell'interruttore di sicurezza, l'apparecchio non deve essere alimentato da un dispositivo di commutazione esterno, come ad esempio un timer, né deve essere collegato a un interruttore che viene regolarmente acceso e spento dalla compagnia che eroga l'elettricità.

IMPOSTARE L'EFFETTO FIAMMA DESIDERATO

1. La manopola di controllo della fiamma "D" (Fig. 10) può essere ruotata verso l'alto o il basso per creare un effetto più realistico.

2. In genere le fiamme hanno un aspetto più realistico quando la manopola di controllo della fiamma è ruotata verso il basso.

3. Attendere qualche istante per consentire al generatore di fiamma di reagire alle modifiche impostate.

4. La stufa consuma meno acqua quando l'effetto fiamma è impostato ad un livello basso.

5. Non inclinare o spostare la stufa quando è presente dell'acqua nel serbatoio o nella vaschetta.

6. Accertarsi che la stufa sia collocata su una superficie piana.

FUNZIONAMENTO DEL TELECOMANDO

Sul pannello di controllo, affinché il telecomando funzioni, l'interruttore A (Fig. 10) deve essere sulla posizione "ON" (I). Sul telecomando sono presenti 3 pulsanti (Fig. 12). Per poter funzionare correttamente, il telecomando deve essere puntato verso l'effetto di combustione anteriore (Fig. 17). Le funzioni del telecomando sono le seguenti:



Premere una volta per attivare solo l'effetto fiamma.
La nuova impostazione verrà segnalata dall'emissione di un beep.



Premere una volta per attivare il riscaldamento medio e l'effetto fiamma.

L'attivazione verrà indicata dall'emissione di due segnali acustici.
Premere nuovamente per attivare il calore massimo e l'effetto fiamma.

L'attivazione verrà segnalata dall'emissione di tre segnali acustici.



Standby

La nuova impostazione verrà segnalata dall'emissione di un beep.

Manutenzione

SUGGERIMENTI

Usare esclusivamente acqua di rubinetto filtrata per questo apparecchio.

Accertarsi sempre che l'apparecchio appoggi su una superficie piana.

Se si prevede di non utilizzare l'apparecchio per più di 2 settimane, rimuovere e svuotare la Vasca di raccolta e il Serbatoio dell'acqua.

Una volta installato, non spostare l'apparecchio né appoggiarlo sul dorso senza aver vuotato la Vasca di raccolta e il Serbatoio dell'acqua.

L'apparecchio non deve mai essere messo in funzione se le lampadine non funzionano.

Le lampadine devono essere controllate regolarmente come descritto nella sezione "Sostituzione delle lampadine".

RIEMPIMENTO DEL SERBATOIO DELL'ACQUA

Quando il serbatoio dell'acqua è vuoto, l'effetto fumo si interrompe e si avvertono due beep, attuare la seguente procedura.

1. Premere l'interruttore "A" su **(0)** (Fig. 10).
2. Sollevare delicatamente il Piano del combustibile e metterlo da parte facendo attenzione.
3. Rimuovere il Serbatoio dell'acqua sollevandolo verso l'alto e verso l'esterno.
4. Collocare il Serbatoio dell'acqua in un lavandino e rimuovere il tappo ruotandolo in senso antiorario (Fig. 7).
5. Riempire il Serbatoio con **acqua di rubinetto filtrata**. Questo è necessario per prolungare la vita dell'unità che produce la fiamma e il fumo.

L'acqua deve essere filtrata mediante un comune sistema di filtraggio dell'acqua domestica e il filtro deve essere sostituito regolarmente.

6. Riavvitare il tappo, senza stringere eccessivamente.
7. Rimettere il Serbatoio nella Vasca di raccolta, con il tappo rivolto verso il basso e il lato piatto del Serbatoio rivolto verso l'esterno (Fig. 8).
8. Rimettere delicatamente il Piano del combustibile in posizione (Fig. 9).
9. Portare l'interruttore "A" sulla posizione "ON" **(I)** (Fig. 10).

SOSTITUZIONE DELLE LAMPADINE

Se la fiamma e l'effetto del fumo appaiono grigi o incolore, è possibile che una o più lampadine siano guaste.

Per verificare la presenza di lampadine guaste procedere come segue:

1. Lasciando l'effetto fiamma attivo, sollevare il Piano del combustibile e il Serbatoio dell'acqua.
2. Dovrebbe essere possibile vedere le lampadine con l'Ugello in posizione e individuare quella che deve essere sostituita.
3. Portare l'interruttore "A" in posizione "OFF" e scollegare la stufa dalla corrente.
4. Attendere 20 minuti per consentire alle lampadine di raffreddarsi prima di rimuoverle.
5. Rimuovere la Vasca di raccolta come descritto nella sezione Pulizia.
6. Rimuovere la lampadina guasta sollevandola delicatamente verso l'alto sganciando i perni dal portalampada (Fig. 4 e 4a).

Sostituire con una lampadina colorata OPTIMYST, 12V, 45W, base Gu 5,3, angolo del raggio 8° (acquistabile in commercio presso un nostro rivenditore).

7. Inserire delicatamente i due perni della nuova lampadina nei due fori del portalampada. Spingere saldamente in posizione (Fig. 4 e 4a).
8. Sostituire la Vasca di raccolta, l'Ugello, il Serbatoio dell'acqua e il Piano del combustibile.

PULIZIA

Avvertenza - Portare sempre l'interruttore "A" sulla posizione "OFF" **(0)** (Fig. 10) e scollegare sempre l'alimentazione di rete prima di pulire la stufa.

Si raccomanda di pulire i seguenti componenti una volta ogni 2 settimane, in particolare nelle zone con acqua dura:- Serbatoio dell'acqua, Vasca di raccolta, Ugello, Tappo del serbatoio e Guarnizione, Filtro dell'aria.

Per pulire il corpo dell'unità, usare un panno morbido per la polvere; non utilizzare in alcun caso detergenti abrasivi.

Per rimuovere l'accumulo di polvere o lanugine, pulire di tanto in tanto la griglia di mandata della ventola con l'accessorio a spazzola morbida di un aspirapolvere.

Serbatoio dell'acqua

1. Rimuovere il Serbatoio dell'acqua come descritto prima, metterlo nel lavandino e vuotare l'acqua.
2. Usando la spazzola fornita, sfregare con delicatezza le superfici interne del tappo facendo particolare attenzione all'anello di gomma della scanalatura esterna e alla guarnizione in gomma centrale.
3. Mettere una piccola quantità di detergente nel Serbatoio, chiudere con il tappo e agitare bene, quindi sciacquare finché non è stata rimossa ogni traccia di detergente.
4. Riempire solo con acqua filtrata di rubinetto, rimettere il tappo, senza stringere eccessivamente.

Vasca di raccolta

1. Portare l'interruttore "A" sulla posizione (0) "OFF".
2. Sollevare delicatamente il Piano del combustibile e metterlo a terra facendo attenzione.
3. Rimuovere il Serbatoio dell'acqua sollevandolo verso l'alto.
4. Scollegare il Connettore elettrico, situato sul lato posteriore della Vasca di raccolta (Fig. 5).
5. Sbloccare le alette di bloccaggio della Vasca di raccolta sulla destra eseguendo una rotazione a 90°. In questo modo la Vasca può essere completamente sollevata dalla sua posizione (Fig. 11).
6. Sollevare delicatamente il gruppo della Vasca di raccolta, facendo attenzione a non inclinarlo in modo da non far fuoriuscire l'acqua. Collocare il gruppo in un lavandino.
7. Sbloccare le alette di bloccaggio della Vasca di raccolta sulla sinistra eseguendo una rotazione a 90°, quindi aprire l'Ugello sollevandolo (Fig. 3).
8. Estrarre il Trasduttore e sollevare delicatamente, come mostrato in figura, in modo che il liquido fuoriesca dalla Vasca di raccolta (Fig. 13).
9. Versare una piccola quantità di detergente nella Vasca di raccolta e usando la spazzola fornita, pulire delicatamente tutte le superfici nella Vasca, quindi pulire delicatamente il Trasduttore, compresi i Dischi di metallo situati nella superficie scanalata superiore (Fig. 14).
10. Una volta pulita, risciacquare accuratamente la Vasca di raccolta con acqua pulita per rimuovere tutte le tracce di detergente.
11. Pulire l'Ugello con la spazzola quindi sciacquare accuratamente con acqua (Fig. 15).
12. Ripetere i passaggi sopra al contrario per rimontare il gruppo.

Filtro dell'aria

1. Sollevare delicatamente il Piano del combustibile e metterlo a terra facendo attenzione.
2. Far scivolare delicatamente il Filtro dell'aria verso l'alto fino a farlo uscire dal portafiltro in plastica (Fig. 16).
3. Sciacquare delicatamente con acqua nel lavandino e asciugare con un panno di tessuto prima del riposizionamento.
4. Riposizionare il Filtro, accertandosi che il Filtro grosso nero sia rivolto verso il lato anteriore della stufa.
5. Riposizionare il Piano del combustibile.

Informazioni supplementari

SERVIZIO DI ASSISTENZA CLIENTI

Il prodotto è garantito per due anni a partire dalla data di acquisto. In questo arco di tempo ci impegniamo a riparare o sostituire il prodotto senza alcun addebito al cliente (salvo le lampadine e soggetto a disponibilità) purché sia stato installato e utilizzato in modo appropriato. I diritti riconosciuti dalla presente garanzia si aggiungono ai diritti di legge dell'acquirente, senza limitarli in alcun modo.

RICICLAGGIO



Prodotti elettrici venduti all'interno della Comunità Europea - Al termine della durata operativa delle apparecchiature elettriche, il prodotto non deve essere smaltito con i rifiuti domestici. Devono invece essere smaltiti nelle apposite strutture. Per informazioni sui servizi di riciclo locali, rivolgersi all'amministrazione locale o al proprio rivenditore di fiducia.

BREVETTO/DOMANDA DI BREVETTO

I prodotti della linea Optimyst sono tutelati da uno o più dei seguenti brevetti e richieste di brevetto:

Gran Bretagna: GB 2402206, GB 2460259, GB 2460453, GB 2418014, GB 2465738, GB 2449925, GB 2465537, GB 2455277, GB1020534.2, GB1020537.5, GB1110987.3

Stati Uniti: US 7967690, US 2010299980, US 2011062250, US 2008028648, US 13/167,042

Russia: RU2008140317

Europa: EP 2029941, EP 2201301, EP 2315976, EP 1787063, EP07723217.1, EP11170434.2, EP 11170435.9

Cina: CN 101883953, CN 200980128666.2, CN 101057105, CN 101438104

Australia: AU 2009248743, AU 2007224634

Canada: CA 2725214, CA 2579444, CA 2645939

Richiesta di brevetto internazionale WO 2006027272

Sud Africa: ZA 200808702

Messico: MX 2008011712

Corea: KR 20080113235

Giappone: JP 2009529649

Brasile: BR P10708894-9

India: IN 4122/KOLNP/2008

Nuova Zelanda: NZ 571900

Risoluzione dei problemi		
Sintomo	Causa	Azione correttiva
L'effetto fiamma non parte.	Il cavo della corrente non è collegato. Basso livello dell'acqua. Il connettore a bassa tensione non è collegato correttamente (Fig. 5). L'Unità trasduttore non risiede correttamente nella Vasca di raccolta.	Verificare che la spina sia correttamente collegata alla presa della corrente. Verificare che il Serbatoio dell'acqua sia pieno e che sia presente dell'acqua nella Vasca di raccolta. Verificare che il connettore sia inserito correttamente (Fig. 5). Accertarsi che il Trasduttore risieda nel vano sagomato della Vasca di raccolta.
L'effetto fiamma è troppo basso.	La Manopola di controllo dell'effetto fiamma è posizionata su un livello troppo basso (Fig. 10). Il Disco in metallo del Trasduttore potrebbe essere sporco (Fig. 14). Il filo dell'Unità trasduttore è sopra al Disco di metallo.	Aumentare il livello della fiamma ruotando leggermente verso sinistra la Manopola di controllo "D" (Fig. 10). Pulire il Disco di metallo con la spazzola morbida in dotazione (Fig. 14). Vedere "Manutenzione" per una procedura passo per passo. Indirizzare il filo verso il retro della Vasca di raccolta e accertarsi che risieda nella scanalatura laterale che esce dalla vasca.
Durante l'uso dell'unità si avverte un odore sgradevole.	Acqua sporca o stagnante. È stata usata acqua di rubinetto non filtrata.	Pulire l'unità come descritto nella sezione Manutenzione. Usare solo acqua di rubinetto filtrata.
L'effetto fiamma ha troppo fumo.	L'impostazione dell'effetto fiamma è troppo alta.	Ruotare la Manopola di controllo dell'effetto fiamma "D" in senso orario di circa ¼ di giro per volta. Dare al generatore di fiamma il tempo di regolarsi alla nuova impostazione (Fig. 10).
Le Lampadine principali non funzionano e non c'è né fiamma né fumo.	Non c'è acqua nel serbatoio.	Seguire le istruzioni nella sezione Manutenzione , "Riempimento del Serbatoio dell'acqua". Verificare che la spina sia collegata correttamente alla presa e che l'Interruttore "A" Fig. 10 sia nella posizione "ON" (I).

Inleiding

Lees deze informatie aandachtig om uw product veilig te installeren, gebruiken en onderhouden.

Belangrijke veiligheidsvoorschriften

Tref standaard maatregelen om brandgevaar, elektrocutie en letsel te vermijden als u elektrische apparatuur gebruikt. Neem daarbij het volgende in acht:

1. WAARSCHUWING



Plaats geen materiaal of kleding op het apparaat en sluit de luchtcirculatie ervan niet af. Dit apparaat is voorzien van een plaatje NIET AFDEKKEN.

2. SCHADE

Laat bij schade het apparaat door de winkelier controleren alvorens u het installeert.

Laat de voedingskabel in het geval van schade door de fabrikant, een erkend servicecentrum of gekwalificeerd personeel vervangen, teneinde gevaren te vermijden.

3. PLAATS

Niet geschikt voor gebruik buitenshuis.

Niet gebruiken in de directe nabijheid van een bad, een douche of een zwembad.

Het vuur niet direct onder een stopcontact of een aansluitdoos plaatsen.

Verzeker u ervan dat meubels, gordijnen en andere ontvlambare materialen op minstens 1 m afstand van het apparaat zijn geplaatst.

4. PLAATS VAN DE STEKKER

Installeer het apparaat op dergelijke wijze dat de stekker altijd bereikbaar is.

Houd de voedingskabel buiten het bereik van het apparaat.

5. DE STEKKER UIT HET STOPCONTACT VERWIJDEREN

Haal bij een storing de stekker van het apparaat uit het stopcontact.

Haal de stekker van het apparaat uit het stopcontact als u het lange tijd niet zult gebruiken.

6. EIGENAAR/GEBRUIKER

Dit apparaat kan alleen worden gebruikt door kinderen vanaf 8 jaar en personen met lichamelijke, zintuiglijke of geestelijke beperkingen of die er geen ervaring mee en kennis van hebben indien zij toezicht of aanwijzingen hebben gekregen om het apparaat op veilige wijze te gebruiken en ook begrijpen welke gevaren er kunnen ontstaan. Kinderen mogen niet met het apparaat spelen. Kinderen mogen niet zonder toezicht reiniging en onderhoud uitvoeren.

Kinderen onder de 3 jaar moeten uit de buurt worden gehouden, tenzij zij voortdurend onder toezicht staan. Kinderen tussen de 3 en 8 jaar mogen het apparaat alleen aan- en uitzetten als het op de bedoelde normale plek geplaatst of gemonteerd is en zij toezicht of aanwijzingen hebben gekregen om het apparaat op veilige wijze te gebruiken en ook begrijpen welke gevaren er kunnen ontstaan. Kinderen tussen de 3 en 8 jaar mogen het apparaat niet aansluiten, bedienen en reinigen of onderhoud uitvoeren.

7. ELEKTRICITEIT

Waarschuwing: Om gevaar te voorkomen door een onbedoelde en ongewenste reet van de thermische beveiliging mag de stroomtoevoer van het apparaat niet via een extern schakelapparaat zoals een tijdschakelaar lopen en mag het apparaat niet op een circuit worden aangesloten dat regelmatig door het nutsbedrijf in- en uitgeschakeld wordt.

WAARSCHUWING: Sommige onderdelen van dit apparaat kunnen zeer heet worden en brandwonden veroorzaken. Let vooral goed op als er kinderen of andere kwetsbare mensen in de buurt zijn.

Lees de veiligheidswaarschuwingen en gebruiksaanwijzingen door alvorens u het apparaat inschakelt.

Algemene informatie

Gebruik uitsluitend gefilterd leidingwater.

Zorg er altijd voor dat de kachel op een egale vloer staat.

Hoewel deze kachel voldoet aan de veiligheidsnormen, raden wij het gebruik hiervan op hoogpolige tapijten of langharige vloerkleden af.

Opmerking: als u de kachel in een omgeving gebruikt met weinig achtergrondgeluid, dan kunt u een geluid horen wanneer de kachel met het vlameffect wordt aangezet. Dit is normaal en vormt geen reden tot ongerustheid.

Als dit product een stroomstoot ervaart, om welke reden dan ook, dan zal het product worden uitgeschakeld. Dit is een normale beveiliging en het product zal na 30 seconden opnieuw werken.

Na het installeren mag de kachel niet worden verplaatst of op zijn rug worden gelegd zonder eerst het water in de opvangbak en waterreservoir af te tappen.

Als u van plan bent om de kachel meer dan twee weken niet te gebruiken, tap dan het water van de opvangbak en het waterreservoir af en droog de opvangbak.

Het waterreservoir, de opvangbak, de kap van de opvangbak, de tankdop en de luchtfilters moeten één keer in de twee weken worden gereinigd, in het bijzonder in gebieden met hard water.

De kachel mag niet worden gebruikt als de lampen niet werken.

De lampen dienen regelmatig te worden geïnspecteerd, zoals beschreven onder "Onderhoud" en "Lampen vervangen".

Installatie-instructies

Dit gedeelte beschrijft hoe u uw kachel moet opstellen.

ALVORENS U START

1. Pak het apparaat voorzichtig uit (lees alle waarschuwingen) en bewaar de verpakking voor eventueel toekomstig gebruik indien u gaat verhuizen of het apparaat naar de leverancier wilt terugsturen.
2. Controleer voordat u de kachel aansluit of de voedingsspanning hetzelfde is als op de kachel is aangegeven.

Installatie in een schoorsteenmantel

1. Bij de installatie van dit apparaat in een schoorsteenmantel, dient u een mantel te kiezen die geschikt is voor uw apparaat (Fig 18). **Aan de voorkant van de schoorsteenmantel moet een luchtopening zijn van minstens 88 cm2. Het is van essentieel belang ervoor te zorgen dat de lucht kan circuleren in het apparaat – anders werkt het Opti-myst vlameffect niet correct. Dit luchtkanaal mag niet geblokkeerd worden**
2. Verwijder de 4 afstandssteunen aan de voorzijde van het apparaat (Fig 19)
3. Schuif het apparaat via de achterzijde volledig in de schoorsteenmantel, en zorg ervoor dat het zich in het midden van de mantel bevindt. Zet het apparaat met de gepaste schroeven (niet bijgeleverd) vast op zijn plaats (Fig 20)
4. Plaats de schoorsteen op een afstand van maximaal 1 m van een stopcontact (Fig 21)

Installatie in een spouw of uitsparing

1. Houd rekening met de productafmetingen in Fig 1 en bouw een geschikte passende structuur voor het apparaat op een afstand van maximaal 1 m van een stopcontact (Fig 22). Zet het apparaat met gepaste schroeven (niet bijgeleverd) vast op zijn plaats
2. Houd rekening met de ventilatiesleuven in het apparaat. Deze bevinden zich onderaan op de voorzijde en onder het apparaat
3. Bouw de wand op tegen het apparaat, en gebruik hierbij de afstandssteunen als geleider.
4. **Aan de voorzijde van de structuur moet een luchtopening van minstens 88 cm voorzien zijn2. Het is van essentieel belang ervoor te zorgen dat de lucht kan circuleren in het apparaat – anders werkt het Opti-myst vlameffect niet correct. Dit luchtkanaal mag niet geblokkeerd worden. Zie Fig 23 voor voorbeelden van luchtopeningen in een spouw of uitsparing**

De transducer eenheid + lampen aansluiten

1. Verwijder de twee rode lipjes door deze 90 graden te draaien (Afb. 2).
2. Til de opvangbak uit (Afb. 3).
3. Steek de lampen in de lamphouders (Afb. 4), steek voorzichtig de pennen in de gaten (Afb. 4a).
4. Druk de lampen stevig op hun plaats.
5. Plaats de transducer eenheid in de opvangbak en verbind de kabel met de aansluiting op de opvangbak (Afb. 5).
6. Om te controleren of de transducer eenheid correct in de opvangbak werd geplaatst, moet u controleren of het lipje overeenkomt met de gevormde uitsparing in de opvangbak (Afb. 5a).
7. Zorg dat de kabel niet boven de schijf op de transducer eenheid wordt geplaatst (Afb. 5b). Om te voorkomen dat de kabel wordt geklemd door het mondstuk en de opvangbak moet u de kabel in de sleuf in de wand van de opvangbak plaatsen.
8. Plaats het mondstuk van de opvangbak terug en zet deze vast door de twee rode lipjes 90 graden te draaien (Afb. 6).

Het waterreservoir vullen

9. Plaats het waterreservoir in de gootsteen en verwijder de dop (draai naar links om te openen) (Afb. 7).
10. Vul het waterreservoir **alleen met gefilterd leidingwater**. Dit is nodig om de levensduur van het vlam- en rookmechanisme te verlengen. Het water dient te worden gefilterd via een conventionele leidingwaterfilter en het filter moet regelmatig worden vervangen. Gedistilleerd water **mag** niet worden gebruikt.
11. Schroef de dop er terug op - **niet te vast aandraaien**.
12. Plaats het reservoir weer terug bij de opvangbak, waarbij de dop van het reservoir naar onderen is gericht en de platte kant van het reservoir naar buiten wijst (Afb. 8).

De kachel monteren

13. Plaats het brandstofbed op het waterreservoir en mistmondstuk (Afb. 9).

De kachel bedienen


In dit gedeelte wordt beschreven hoe u uw kachel met de bedieningsknoppen of afstandsbediening kunt bedienen.

HANDBEDIENING

De bedieningsknoppen van de kachel bevinden zich onder de klep. (Zie Afb.10 voor een schema van de handbediening).


Schakelaar "A": - regelt de stroomtoevoer naar de kachel.


Note: Deze schakelaar moet zich in de stand "ON" (I) bevinden om de kachel met of zonder warmte te gebruiken.

Schakelaar "B": - Druk  1 keer om het vlameffect in te schakelen. Dit wordt door een pieptoon aangegeven. Hoewel de hoofdlampen direct werken, duurt het nog 30 seconden voordat het vlameffect start.

Druk  opnieuw voor het vlameffect en halve kracht. Dit wordt aangegeven door twee pieptonen.

Druk  opnieuw voor het vlameffect en volle kracht. Dit wordt aangegeven door drie pieptonen.

Druk  opnieuw om alleen naar het vlameffect terug te keren. Dit wordt door één pieptoon aangegeven.

Druk  om de kachel in de stand-by modus te zetten. Dit wordt door één pieptoon aangegeven.

Regelknop "C": - regelt de instelling van de thermostaat.

Door de regelknop naar links te draaien verlaagt u de temperatuurinstelling, door deze naar rechts te draaien, verhoogt u de temperatuurinstelling.

Regelknop "D": - regelt de intensiteit van het vlameffect.

Door de regelknop naar links te draaien verhoogt u het vlameffect, door de regelknop naar rechts te draaien verlaagt u het vlameffect.

DE THERMOSTAAT INSTELLEN

Zorg dat de kachel is aangesloten en zet deze op de volledige warmte-instelling. Draai de regelknop "C" geheel naar rechts (max. temperatuurinstelling) om de kamer snel op te warmen. Als de ruimte op de gewenste temperatuur is gebracht, draait u de thermostaatknop weer langzaam terug totdat u aan het klikje hoort dat de thermostaat uit staat. De kachel behoudt dan de kamertemperatuur op het geselecteerde niveau.

Opmerking: Als uw kachel niet aanspringt wanneer de thermostaat op een lage instelling staat, dan kan dit komen doordat de kamertemperatuur hoger is dan de thermostaatinstelling.

THERMISCHE BEVEILIGING

Er is een afslagmechanisme voor thermische beveiliging in de ventilatorkachel ingebouwd om schade door oververhitting te voorkomen. Dit kan gebeuren als de warmteuitlaat op enige wijze wordt geblokkeerd. Als het afslagmechanisme in werking treedt, dan dient u de stekker van de kachel uit het stopcontact te halen en ongeveer 10 minuten te wachten, voordat u deze er weer in steekt. Voordat u de kachel weer aanzet, dient u de obstakels die de warmte-uitlaat kunnen blokkeren te verwijderen en de kachel hierna opnieuw in werking te stellen.

Let op: om brandgevaar te voorkomen als gevolg van het onbedoeld resetten van de thermische beveiliging, mag het apparaat niet van stroom worden voorzien via een externe schakelaar, zoals een timer, of worden aangesloten op een schakelaar die regelmatig aan en uit wordt gezet door het elektriciteitsbedrijf.

HET GEWENSTE VLAMEFFECT KRIJGEN

1. De vlamregelknop "D" (Afb.10) kan hoger of lager worden gedraaid voor een meer realistisch effect.
2. In het algemeen zien de vlammen er natuurlijker uit als de vlamregelknop omlaag is gedraaid.
3. Geef het vlammechanisme de tijd om te reageren op wijzigingen die u aanbrengt.
4. De kachel zal minder water verbruiken als het vlameffect op een lager niveau wordt ingesteld.
5. Kantel of verplaats de kachel niet als er water in het waterreservoir of in de opvangbak aanwezig is.
6. Zorg er altijd voor dat de kachel op een vlakke vloer staat.

AFSTANDSBEDIENING GEBRUIKEN

Op het bedieningspaneel dient schakelaar A (zie Afb.10) op de "AAN" (I)-stand te staan om de afstandsbediening te kunnen gebruiken.

De afstandsbediening is voorzien van drie toetsen. (Afb.12) Voor een goede werking moet u de afstandsbediening op het vlameffect richten. (Afb.17). De afstandsbedieningsfuncties zijn als volgt:



Druk één keer om alleen het vlameffect aan te zetten.
Dit wordt door één pieptoon aangegeven.



Druk één keer om halve kracht en het vlameffect aan te zetten.
Dit wordt aangegeven door twee pieptonen.
Druk opnieuw voor volle kracht en vlameffect.
Dit wordt aangegeven door drie pieptonen.



Stand-by
Dit wordt door één pieptoon aangegeven.

Onderhoud

ALGEMENE TIPS

Gebruik uitsluitend gefilterd leidingwater.

Zorg er altijd voor dat de kachel op een egale vloer staat.

Als u van plan bent om de kachel meer dan twee weken niet te gebruiken, verwijder en leeg de opvangbak en het waterreservoir. Na het installeren mag de kachel niet worden verplaatst of op zijn rug worden gelegd zonder eerst het water in de opvangbak en waterreservoir af te tappen.

De kachel mag niet worden gebruikt als de lampen niet werken.

De lampen dienen regelmatig te worden geïnspecteerd, zoals beschreven onder "Lampen vervangen".

HET WATERRESERVOIR VULLEN

Als het waterreservoir leeg is, stopt het vlam- en rookeffect en hoort u twee "pieptonen", volg deze stappen

1. Druk schakelaar "A" naar **(0)** (Afb.10).
2. Verwijder het brandstofbed en zet dit even opzij.
3. Verwijder het waterreservoir door dit omhoog en eruit te tillen.
4. Plaats het waterreservoir in een gootsteen en draai de dop naar links om het reservoir te openen. (Afb. 7)
5. Vul het waterreservoir **alleen met gefilterd leidingwater**. Dit is nodig om de levensduur van het vlam- en rookmechanisme te verlengen.

Het water dient te worden gefilterd via een conventionele leidingwaterfilter en het filter moet regelmatig worden vervangen.

6. Schroef de dop er weer op, draai deze niet te vast.
7. Plaats het reservoir weer terug bij de opvangbak, waarbij de dop van het reservoir naar onderen is gericht en de platte kant van het reservoir naar buiten wijst (Afb. 8).
8. Plaats voorzichtig het brandstofbed terug op zijn plaats (Afb. 9).
9. Zet schakelaar "A" op "ON" **(I)** (Afb.10).

LAMPEN VERVANGEN

Als een grote hoeveelheid van de rook grijs of kleurloos lijkt, kunnen er één of meer lampen stuk zijn.

U kunt kapotte lampen als volgt controleren.

1. Laat het vlameffect ingeschakeld, til het brandstofbed en waterreservoir uit.
2. Zelfs met het mondstuk gemonteerd, is het mogelijk om te controleren welke lampen er moeten worden vervangen.
3. Zet schakelaar "A" in de "UIT"-stand en haal de stekker van de kachel uit het stopcontact.
4. Laat de lampen 20 minuten afkoelen voordat u ze eruit haalt.
5. Verwijder de opvangbak zoals beschreven in het hoofdstuk Reinigen.
6. Verwijder de kapotte lamp door deze voorzichtig verticaal omhoog te tillen en uit de contactpennen van de lamphouder te trekken, (zie Afb. 4 en 4a).

Vervang door een OPTIMYST, 12V, 45W, Gu5.3 basis, 8° stralingshoek, gekleurde lamp (verkrijgbaar bij uw leverancier).

7. Plaats de twee contactpennen van de nieuwe lamp in de twee gaten van de lamphouder. Druk ze stevig op hun plaats (Afb. 4 en 4a).
8. Vervang de opvangbak, waterreservoir en brandstofbed.

SCHOONMAKEN

Waarschuwing - Zet schakelaar "A" altijd op "OFF" **(0)** (Afb. 10) en haal altijd de stekker uit het stopcontact voordat u de kachel reinigt.

We raden u aan om de volgende onderdelen 1 keer in de twee weken schoon te maken, vooral in gebieden met hard water:- waterreservoir, opvangbak, mondstuk, reservoirdop en afsluiter, luchtfilter.

Gebruik voor algemene reiniging een zachte schone stofdoek – nooit schurende reinigingsmiddelen gebruiken.

Gebruik het borstelhulpstuk van de stofzuiger af en toe om stof of pluis uit het uitlaatrooster van de ventilator te verwijderen.

Watertank

1. Verwijder het waterreservoir zoals eerder beschreven, plaats dit in een gootsteen en tap het water af.
2. Gebruik de meegeleverde borstel om de binnenzijden van de dop zachtjes te borstelen en let vooral op de rubberen ring in de buitenste groef en de middelste rubberafdichting.
3. Vul het reservoir met een klein beetje afwasmiddel, plaats de dop terug, schud goed en spoel totdat alle sporen van het wasmiddel zijn verdwenen.
4. Vul uitsluitend met gefilterd leidingwater, plaats de dop terug en draai deze niet te vast.

Opvangbak

1. Zet schakelaar "A" op de "OFF" (0) stand.
2. Verwijder het bradstofbed en zet dit even opzij.
3. Haal het waterreservoir eruit door dit omhoog te tillen.
4. Ontkoppel de elektrische aansluiting, die zich aan de rechterzijde van de opvangbak bevindt (Afb.5).
5. Maak de rechter vergrendelpennen van de opvangbak los door deze 90° te draaien. Hierdoor kan de opvangbak volledig worden verwijderd (Afb. 11).
6. Til de opvangbak voorzichtig op en zorg dat u deze recht houdt zodat er geen water wordt gemorst. Plaats de opvangbak in de gootsteen.
7. Maak de linker vergrendellipjes van de opvangbak los door deze 90° te draaien, en verwijder hierna het mondstuk (Afb.3).
8. Kantel voorzichtig zoals afgebeeld, zodat de vloeistof uit de opvangbak wordt afgetapt (Afb.13).
9. Vul de opvangbak met een kleine hoeveelheid afwasmiddel en gebruik de meegeleverde borstel om alle oppervlakken zachtjes te reinigen, inclusief de metalen schijf die zich in het bovenste groefvlak bevindt (Afb.14).
10. Wanneer schoongemaakt, spoel de opvangbak met schoon water om alle sporen van afwasmiddel te verwijderen.
11. Reinig het mondstuk met de borstel en spoel met water (Afb.15).
12. Voer de bovenstaande stappen in omgekeerde volgorde uit om te monteren.

Luchtfilter

1. Verwijder het bradstofbed en zet dit even opzij.
2. Schuif het luchtfilter naar boven uit de plastic houder (Afb.16).
3. Spoel voorzichtig met water in de gootsteen en droog met een stoffen handdoek voordat u het filter terugplaatst.
4. Vervang het filter en zorg ervoor dat het zwarte filtergedeelte naar de voorkant van de kachel is gericht.
5. Vervang het brandstofbed.

Aanvullende informatie

DIENST NA VERKOOP

De garantie voor uw product is vanaf de aankoopdatum twee jaar geldig. Binnen deze periode repareren of vervangen wij dit product zonder hiervoor kosten in rekening te brengen (met uitzondering van de gloeilampen en afhankelijk van de beschikbaarheid), op voorwaarde dat de kachel overeenkomstig deze voorschriften werd geïnstalleerd en gebruikt. Uw rechten volgens deze garantie zijn een aanvulling op uw wettelijke rechten, die door deze garantie niet worden beïnvloed.

RECYCLAGE



Voor elektrische producten die worden verkocht in de Europese Gemeenschap - Aan het einde van de nuttige levensduur van een elektrisch product mag dit niet met het gewone huisvuil worden weggegooid. Maak gebruik van de bestaande recyclingfaciliteiten. Neem contact op met uw plaatselijke verheidsinstanties of de leverancier hoe u in uw land producten kunt recycleren.

OCTROOIEN EN OCTROOIAANVRAGEN

Producten van de reeks Optimyst worden beschermd door een of meer van de volgende octrooien en octrooiaanvragen:

Groot-Brittannië GB 2402206, GB 2460259, GB 2460453, GB 2418014, GB 2465738, GB 2449925, GB 2465537, GB 2455277, GB1020534.2, GB1020537.5, GB1110987.3

Verenigde Staten US 7967690, US 2010299980, US 2011062250, US 2008028648, US 13/167,042

Rusland RU2008140317

Europa EP 2029941, EP 2201301, EP 2315976, EP 1787063, EP07723217.1 , EP11170434.2, EP 11170435.9

China CN 101883953, CN 200980128666.2, CN 101057105, CN 101438104

Australië AU 2009248743, AU 2007224634

Canada CA 2725214, CA 2579444, CA 2645939

Internationale octrooiaanvraag WO 2006027272

Zuid-Afrika ZA 200808702

Mexico MX 2008011712

Korea KR 20080113235

Japan JP 2009529649

Brazilië BR P10708894-9

India IN 4122/KOLNP/2008

Nieuw Zeeland NZ 571900

Probleemoplossing		
Symptoom	Oorzaak	Oplossing
Het vlameffect start niet.	De netstekker zit niet in het stopcontact. Laag waterniveau. Laagspanningsstekker niet goed aangesloten (Afb.5). De transducer unit zit niet goed in de opvangbak.	Controleer of de stekker goed in het stopcontact zit. Controleer of het waterreservoir vol is en of er water in de opvangbak aanwezig is. Controleer of de stekker goed in het stopcontact zit (Afb.5). Zorg ervoor dat de transducer goed in de holte in de opvangbak zit.
Het vlameffect is te laag.	De regelknop voor het vlameffect is te laag ingesteld (Afb.10). De metalen schijf in de transducer is mogelijk vuil (Afb.14). De draad van de transducer unit bevindt zich boven de metalen schijf.	Verhoog de grootte van de vlam door de regelknop "D" langzaam naar links te draaien (Afb.10). Reinig de metalen schijf met de meegeleverde zachte borstel (zie Afb.14) Zie "Onderhoud" voor een stap-voor-stapprocedure. Leidt de draad naar de achterkant van de opvangbak en zorg dat hij in de sleuf aan de zijkant zit, die uit de opvangbak komt.
Onaangename geur als de kachel wordt gebruikt.	Vuil of niet vers water. Het gebruik van ongefilterd leidingwater.	Reinig de kachel zoals beschreven bij onderhoud. Gebruik uitsluitend gefilterd leidingwater.
Het vlameffect geeft te veel rook af.	Het vlameffect is te hoog ingesteld.	Draai de regelknop voor het vlameffect "D" naar rechts, ongeveer ¼ slag per keer. Geef het vlammechanisme tijd om zich aan te passen aan deze nieuwe instelling (Afb.10).
De hoofdlampen werken niet en er zijn geen vlammen of rook.	Er zit geen water in het reservoir.	Volg de instructies onder Onderhoud , "Het waterreservoir vullen". Controleer of de stekker in het stopcontact zit en dat schakelaar "A" Afb. 10 zich in de stand "ON" (I) bevindt.

Intro

Denne vejledning skal læses omhyggeligt for at installere, bruge og vedligeholde produktet korrekt.

Vigtige råd om sikkerhed

Når du anvender elektriske apparater, skal du altid overholde de basale forholdsregler vedr. sikkerhed, så risikoen for brand, elektrisk stød og personskade minimeres mest muligt, inkl. følgende:

1. ADVARSEL



Placér aldrig stof eller beklædningsgenstande oven på pejsen og blokér aldrig luftcirkulationen omkring apparatet.

Dette apparat kommer med advarslen **MÅ IKKE TILDÆKKES**.

2. BESKADIGELSE

Hvis apparatet er blevet beskadiget, skal du konsultere forhandleren, inden du installerer og betjener apparatet.

Hvis netledningen er beskadiget, skal den udskiftes af producenten, dennes serviceagent eller en tilsvarende kvalificeret person, så der ikke opstår farlige situationer.

3. PLACERING

Må ikke anvendes udendørs.

Må ikke anvendes i umiddelbar nærhed af badekar, brusekabine eller svømmebasin.

Placér ikke pejsen umiddelbart under en fast stikkontakt eller samledåse.

Sørg for, at møbler, gardiner og andre brændbare materialer ikke placeres indenfor 1 meter fra pejsen.

4. PLACERING AF STIKPROP

Apparatet skal placeres, så der altid er let adgang til stikpropfen.

Hold den elektriske ledning på afstand af apparatets front.

5. TAG STIKKET UD

Tag stikket ud, hvis der er fejl i pejsen.

Tag stikket ud af kontakten, hvis du ikke skal bruge pejsen i længere tid.

6. EJER/BRUGER

Apparatet kan anvendes af børn i alderen fra 8 år og opefter og af personer med nedsatte fysiske, sensoriske eller mentale evner eller manglende erfaring eller kendskab, hvis de er under opsyn eller har fået vejledning i brugen af apparatet på en sikker måde og forstår farerne i forbindelse hermed. Børn må ikke lege med apparatet. Børn må ikke udføre rengøring og brugervedligeholdelse uden opsyn.

Børn under 3 år skal holdes væk, medmindre de løbende overvåges. Børn mellem 3 og 8 år må kun tænde/slukke for apparatet, forudsat at det er placeret eller installeret i den relevante position, og de har fået vejledning i brugen af apparatet på en sikker måde og forstår farer i forbindelse hermed. Børn mellem 3 og 8 år må ikke tilslutte, regulere eller rengøre apparatet eller udføre vedligeholdelse.

7. ELEKTRICITET

Advarsel: For at undgå fare som følge af utilsigtet nulstilling af den termiske afbryder, må apparatet ikke være tilsluttet via en ekstern afbryderanordning, f.eks. timer, eller være tilsluttet et kredsløb, der regelmæssigt tændes og slukkes af udstyret.

FORSIGTIG - Visse dele af produktet kan blive meget varme og give forbrændinger. Der skal være særlig opmærksomhed, hvis der er børn og udsatte personer til stede.

ADVARSEL - Undgå overophedning ved aldrig at tildække apparatet.

Generelle oplysninger

Brug kun filtreret vand fra hanen i denne ovn.

Sørg for, at apparatet altid står på et plant gulv.

Selvom den elektriske pejs overholder sikkerhedsstandarder, anbefaler vi ikke, at den benyttes på tykke tæpper eller tæpper med lang luv.

Bemærk: Ved anvendelse på et sted med meget lav baggrundsstøj kan man måske høre en lyd, som har tilknytning til flammeeffektens funktion. Dette er normalt, og bør ikke vække bekymring.

Hvis produktet udsættes for overspænding uanset årsagen, kan det kortsluttes. Det er en normal sikkerhedsfunktion og produktet fortsætter efter 30 sekunder.

Når apparatet er installeret, må det ikke flyttes eller lægges ned, uden at vandet først tømmes ud af opsamlingskarret og vandtanken.

Hvis du ikke har til hensigt at bruge apparatet i mindst 2 uger, skal vandet tømmes ud af opsamlingskarret og vandtanken. Aftør derefter opsamlingskarret.

Vandtank, opsamlingskar, karlåg, tankdæksel og luftfiltre skal rengøres hver anden uge, især i områder med hårdt vand. Apparatet bør aldrig bruges, hvis pærerne ikke virker.

Pærerne skal undersøges regelmæssigt, som beskrevet under "Vedligeholdelse" og "Udskiftning af pærer".

Installationsinstruktioner

I dette afsnit beskrives opsætning af pejsen.

INDEN DU STARTER

1. Sørg for al emballage fjernes (læs advarselsmærker omhyggeligt) og gem emballagen til eventuel senere brug fx ved flytning eller returnering til leverandøren.
2. Før pejsen tilsluttes, skal det kontrolleres, at netspændingen er den samme, som den, der er angivet på ovnen.

Installation i røgfang til ildsted

1. Når denne anordning installeres i et pejserøgfang, skal du sørge for at vælge et røgfang, der egner sig til udstyret (figur 18). **Der skal være en aftrækskanal på forsiden af røgfanget på mindst 88 cm². Det vigtigt at sørge for, at luften kan cirkulere i anordningen – ellers kan opty-myst-flammeeffekten ikke fungere korrekt. Denne adgang til luft må ikke blokeres**
2. Fjern de 4 afstandsbeslag på forsiden af anordningen (figur 19)
3. Skub anordningen helt ind i pejsen fra bagsiden, og kontrollér, at det centrerer i røgfanget. Brug passende skruer (medfølger ikke) til at sætte anordningen fast (figur 20)
4. Sørg for at anbringe pejsen inden for 1 m fra en stikkontakt (figur 21)

Installation i væg eller fordybning

1. Bemærk produktets mål i figur 1, og byg en passende struktur, så det passer til anordningen, inden for 1 m fra en stikkontakt (figur 22). Brug passende skruer (medfølger ikke) til at sætte anordningen fast
2. Bemærk ventilationsåbningerne i anordningen. De er placeret på forsiden af basen og under anordningen.
3. Byg væggen op mod anordningen ved hjælp af afstandsbeslagene som guide.
4. **Der skal være en aftrækskanal på forsiden af strukturen på mindst 88 cm². Det vigtigt at sørge for, at luften kan cirkulere i udstyret – ellers kan opty-myst-flammeeffekten ikke fungere korrekt. Denne adgang til luft må ikke blokeres. Se figur 23 for eksempler på luftkanaler i en væg eller fordybning**

Tilslutning af transducer + pærer

1. Løsn de to røde tapper ud ved at dreje dem 90 grader (fig. 2).
2. Tag opsamlingskarrets dyse ud (fig. 3).
3. Isæt pærer i pærerholderne (fig. 4), sæt forsigtigt stifterne i hullerne (fig. 4a).
4. Skub pæren på plads.
5. Sæt transduceren i karret og saml ledningen til stikket på karret (fig. 5).
6. Sørg for transduceren sidder korrekt i karret ved at tappen på transduceren følger fordybningen i karret (fig. 5a).
7. Sørg for kablet ikke sættes over skiven på karret (fig. 5b). Undgå at kablet kommer i klemme mellem dyse og kar ved at placere kablet i hullet i væggen på karret.
8. Isæt karrets dyse og fastgør ved at dreje de to røde tapper 90 grader (fig. 6).

Påfyldning af vandtanken

9. Placer vandtanken og fjern hættten (drej mod uret for at åbne) (fig. 7)
10. Fyld vandtanken med **kun filtreret vand**. Dette er nødvendigt for at forlænge den flamme- og røgproducerende enheds funktionstid. Vandet bør filtreres gennem et almindeligt vandfilter, og filteret skal udskiftes regelmæssigt. Distilleret vand **må ikke** anvendes.
11. Skru dækslet på igen, **stram ikke for hårdt**.

12. Placer vandtanken i karret, med hættten nedad og den flade side af tanken udad (fig. 8).

Samling af pejsen

13. Sæt brændselslejet oven på vandtanken tågedysen (fig. 9).

Betjening af pejsen


Dette afsnit beskriver, hvordan du kan tænde pejsen manuelt eller med fjernbetjening.


KONTROLKNAPPER


Den manuelle betjening findes under flappen. (Se fig. 10 for en skitse af kontrolknapperne)


Knap "A" - Tænder og slukker for strømtilførslen til pejsen.


Bemærk: Den skal være "TÆNDT" (**A**) for at pejsen virker med eller uden varme, når den er aktiveret.

Kontakt "B":- Tryk  en gang for at tænde for flammeeffekten. Dette vil blive angivet med et bip. Selv om hovedpæren fungerer øjeblikkeligt, vil det tage yderligere 30 sekunder, før flammeeffekten begynder.

Presse  igen for flammeeffekt og halv varme. Dette vil blive angivet med to bip.

Presse  igen for flammeeffekt og fuld varme. Dette vil blive angivet med tre bip.

Presse  igen for at vende tilbage til blot flammeeffekt. Dette vil blive angivet med et bip.

Presse  for at sætte pejsen i standby. Dette vil blive angivet med et bip.

Drejeknap "C" - Regulerer termostatindstillingen.

Drej drejeknappen til venstre for at skrue ned for temperaturen, drej drejeknappen til højre for at skrue op for temperaturen.

Drejeknap "D" - Regulerer flammeeffektens intensitet.

Drej drejeknappen til venstre for at øge flammeeffekten. Drej drejeknappen til højre for at mindske flammeeffekten.

TERMOSTATINDSTILLING

Sørg for pejsen er tilsluttet og tænd den med fuld varmeindstilling. Drej kontrolknappen "C" helt til højre (maks. temperaturindstilling) for at varme lokalet hurtigt. Når lokalet har nået den ønskede temperatur, drejes termostatknappen langsomt tilbage, til termostaten afbryder med et klik. Pejsen opretholder lokalets temperatur ved det valgte niveau.

Bemærk: Hvis varmeapparatet ikke tændes, når termostaten er indstillet til en lav temperatur, kan det være fordi, rumtemperaturen er højere end termostatens indstilling.

TERMISK SIKKERHEDSAFBRYDER

Der er indbygget en termisk sikkerhedsafbryder i blæseren med henblik på at forhindre skade som følge af overophedning. Det kan ske, hvis varmeudgangen blev hæmmet på nogen måde. Hvis afbryderen slukker, tager du varmerens stik ud af stikkontakten, og venter ca. 10 minutter før stikket sættes i igen. Før du tænder for varmeren igen, skal du fjerne evt. forhindringer, der kan blokere for varmen og derefter fortsætte med normal funktion.


Bemærk: For at undgå fare som følge af utilsigtet nulstilling af den termiske afbryder, må apparatet ikke være tilsluttet via en ekstern afbryderanordning, f.eks. timer, eller være tilsluttet et kredsløb, der regelmæssigt tændes og slukkes af udstyret.


SÅDAN OPNÅS DEN ØNSKEDE FLAMMEEFFEKT


1. Flammedrejknappen "D" (fig. 10) kan dreje op og ned for flammestørrelsen, for at give en mere realistisk effekt.
2. Generelt virker flammerne mere realistiske, når knappen drejes til en lavere indstilling.
3. Giv flammegeneratoren tid til at reagere på den ønskede ændring.
4. Pejsen bruger mindre vand, hvis flammeeffekten indstilles til et lavere niveau.
5. Du må ikke hælde eller flytte pejsen, mens der er vand i tanken eller opsamlingskarret.
6. Sørg for, at pejsen står på et plant gulv.

BRUG AF FJERNBETJENING

På kontrolpanelet skal knap A (fig. 10) være på tændt (I) indstilling for at fjernbetjeningen kan fungere. Der er 3 knapper på fjernbetjeningen (fig. 12). Fjernbetjeningen skal rettes mod forreste del af risten (fig. 17). Fjernbetjeningens funktioner:

 Tryk én gang for at tænde for flammeeffekten alene.
Dette vil blive angivet med et bip.

 Tryk én gang for at tænde for halv varme og flammeeffekt.
Dette vil blive angivet med to bip.
Tryk igen for at tænde for fuld varme og flammeeffekt.
Dette vil blive angivet med tre bip.

 Standby
Dette vil blive angivet med et bip.

Vedligeholdelse

GENERELLE TIP

Brug kun filtreret vand fra hanen i denne ovn.

Sørg for, at apparatet altid står på et plant gulv.

Hvis du ikke ønsker at bruge pejsen i over 2 uger, så fjern og tøm karret og vandtanken.

Når apparatet er installeret, må det ikke flyttes eller lægges ned, uden at vandet først tømmes ud af opsamlingskarret og vandtanken.

Apparatet bør aldrig bruges, hvis pærerne ikke virker.

Pærerne skal undersøges regelmæssigt, som beskrevet under "Udskiftning af pærer".

PÅFYLDNING AF VANDTANK

Når vandtanken er tom, slukkes flammen og, røgeffekten lukkes af, mens du hører 2 hørbare "bip", følg disse trin.

1. Slå knappen "A" "TIL" (0) (fig. 10).
 2. Løft den forsigtigt ud af brændselslejet og sæt den omhyggeligt til siden.
 3. Fjern vandtanken ved at løfte den op- og udad.
 4. Læg vandtanken i en håndvask, og tag dækslet af (fig. 7).
 5. Fyld tanken med **kun filtreret vand**. Dette er nødvendigt for at forlænge den flamme- og røgproducerende enheds funktionstid.
- Vandet bør filtreres gennem et almindeligt vandfilter, og filteret skal udskiftes regelmæssigt.
6. Skru hættten på igen, stram den ikke for meget.
 7. Sæt tanken tilbage i opsamlingskarret, så tankens dæksel vender nedad, og den flade side af tanken vender udad (fig. 8).
 8. Sæt forsigtigt brændselslejet på igen (fig. 9).
 9. Slå knappen "A" "TIL" (I) (fig. 10).

UDSKIFTNING AF PÆRER

Hvis flammen og røgen virker grå eller farveløs, kan det skyldes, at en eller flere pærer er gået.

Du kan tjekke pærerne således.

1. Lad flammeeffekten være tændt, tag brændselslejet og vandtanken ud.
2. Det bør være muligt at se lamperne med dysen på sin plads og se, hvilken der skal udskiftes.
3. Sæt knap "A" i "SLUKKET" indstilling, og tag stikket ud af stikontakten.
4. Lad pejsen stå i 20 minutter, så pærerne kan køle af, før du fjerner dem.
5. Fjern opsamlingskarret som beskrevet i afsnittet om rengøring.
6. Fjern den defekte pære ved forsigtigt at løfte den lodret og koble benene fri af pærefatningen (fig. 4 og 4a). Udskift pæren med en OPTIMYST, 12 V, 45 W, Gu5.3 base, med 8° strålevinkel, farvet pære. (Købes af din leverandør)
7. Sæt forsigtigt den nye pæres to ben ind i de to huller i lampeholderen. Skub pæren på plads (fig. 4 og 4a).
8. Udskift karret, ventilen, vandtanken og brændselslejet.

RENGØRING

Bemærk - Slå altid knappen "A" FRA (0) (fig. 10) og afbryd fra strømforsyningen inden pejsen gøres ren.

Vi anbefaler rengøring af følgende komponenter én gang hver 2. uge, især i områder med hårdt vand:

Vandtank, opsamlingskar, ventil, tankdæksel og pakning, luftfilter.

Almindelig rengøring udføres med en blød, ren støvklud - brug aldrig rengøringsmidler med slibemiddel.

Støv og fnug fjernes lejlighedsvist fra blæserens gitter med støvsugerens bløde børstetilbehør.

Vandtank

1. Fjern vandtanken, som beskrevet tidligere. Læg den i en håndvask, og tøm den for vand.
2. Brug den medfølgende børste til forsigtigt at skrubbe indersiden af hættten og hold især øje med gummiringen i yderste rille og den midterste gummipakning.
3. Hæld lidt opvaskemiddel i tanken, sæt dækslet på igen, og ryst tanken kraftigt. Skyl grundigt til alle rester af opvaskemiddel er væk.
4. Fyld kun op med filtreret vand. Sæt dækslet på igen, og pas på ikke at stramme for hårdt.

Bundkar

1. Slå knappen "A" FRA (0) FRA.
2. Løft forsigtigt brændselslejet væk og sæt det forsigtigt på jorden.
3. Fjern vandtanken ved at løfte den opad.
4. Afbryd den elektriske konektor, som findes på højre side af opsamlingskarret (fig. 5).
5. Løsn højre låsetap ved at dreje 90°. Så kan karret løftes helt ud (fig. 11).
6. Løft forsigtigt opsamlingskarret op, og sørg for at holde det lige, så der ikke spildes vand. Læg enheden ned i en håndvask.
7. Frigør venstre opsamlingskars låsetapper ved at dreje 90°, og løft af ventilen (fig. 3).
8. Løft transduceren ud og vip forsigtigt opsamlingskarret som vist, så væsken drænes fra opsamlingskarret (fig. 13).
9. Hæld lidt opvaskemiddel i opsamlingskarret, og brug den medfølgende børste til forsigtigt at rengøre alle overflader i opsamlingskarret og rengør transduceren forsigtigt samt metalskiverne, der sidder i den øverste rille (fig. 14).
10. Efter rengøringen skylles det grundigt med rent vand for at fjerne alle spor af opvaskemidlet.
11. Rengør dysen med børsten og skyld grundigt med vand (fig. 15)
12. Saml opsamlingskarret i modsat rækkefølge af adskillelsen.

Luffilter

1. Løft forsigtigt brændselslejet væk og sæt det forsigtigt på jorden.
2. Før luffiltret langsomt op og ud af dets plastikholder (fig. 16).
3. Skyl forsigtigt med vand i håndvasken, og tør den med et håndklæde, før du sætter den i igen.
4. Udskift filtret og sørg for det grove sorte filter vender mod ilden.
5. Udskift brændselslejet.

Yderligere oplysninger

SERVICE EFTER SALG

Der er garanti på produktet to år efter købsdatoen. I løbet af denne periode udfører vi gratis reparation eller ombytning af produktet, (bortset fra pærer og med forbehold for lagerbeholdning) under forudsætning af, at det har været installeret og betjent i overensstemmelse med nærværende vejledning. Dine rettigheder i henhold til garantien er udover dine lovbestemte rettigheder og påvirkes ikke af nærværende garanti.

GENBRUG



For elektriske produkter, der sælges i EU - ved slutningen af det elektriske produkts levetid må det ikke bortskaffes som husholdningsaffald. Lever apparatet til genbrug, hvor sådanne faciliteter findes. Spørg din lokale myndighed eller forhandleren for råd om genbrug i dit land.

PATENT / PATENTANSØGNING

Produkter i Optimyst-sortimentet beskyttes af et eller flere af følgende patenter og patentansøgninger:

Storbritannien GB 2402206, GB 2460259, GB 2460453 , GB 2418014, GB 2465738, GB 2449925, GB 2465537 , GB 2455277, GB1020534.2, GB1020537.5, GB1110987.3

USA US 7967690, US 2010299980, US 2011062250, US 2008028648, US 13/167,042

Rusland RU2008140317

Europa EP 2029941, EP 2201301, EP 2315976, EP 1787063, EP07723217.1 , EP11170434.2, EP11170435.9

Kina CN 101883953, CN 200980128666.2, CN 101057105, CN 101438104

Australien AU 2009248743, AU 2007224634

Canada CA 2725214, CA 2579444, CA 2645939

International patentansøgning WO 2006027272

Sydafrika ZA 200808702

Mexico MX 2008011712

Korea KR 20080113235

Japan JP 2009529649

Brasilien BR P10708894-9

Indien IN 4122/KOLNP/2008

New Zealand NZ 571900

Fejlsøgning		
Symptom	Årsag	Løsning
Flammeeffekten vil ikke starte.	<p>Elstikket er ikke sat i.</p> <p>Lav vandstand.</p> <p>Lavspændingsstikket er ikke korrekt sat i (fig.5).</p> <p>Transducere er ikke placeret korrekt i karret.</p>	<p>Tjek, at stikket er sat korrekt i stikkontakten.</p> <p>Kontroller, at vandtanken er fuld, og at der er vand i opsamlingskarret.</p> <p>Tjek, at stikket er sat korrekt i (fig.5).</p> <p>Sørg for transducer er placeret korrekt i fordybningen i karret.</p>
Flammeeffekten er for lav.	<p>Flammeeffektknappen er indstillet for lavt (fig.10).</p> <p>Metalskiven i transducere kan være snavset (fig.14).</p> <p>Ledningen fra transducere er placeret over metalskiven.</p>	<p>Skru op for flammeeffekten ved langsomt at dreje knappen D til venstre (fig.10).</p> <p>Rengør metalskiven med den bløde børste, der følger med varmeren (se fig. 14). Se "Vedligeholdelse" for en trinvis fremgangsmåde.</p> <p>Før ledningen til bagsiden af karret og sørg for den føres ind i sideåbningen i karret.</p>
Ubehagelig lugt, når varmeren bruges.	<p>Snavset eller stillestående vand.</p> <p>Der er brugt ufiltreret vand fra hanen.</p>	<p>Rengør enheden som beskrevet under vedligeholdelse.</p> <p>Brug kun filtreret vand fra hanen.</p>
Flammeeffekten har for meget røg.	Flammeeffektindstillingen er for høj.	Drej flammeeffektens kontrolknap "D" med uret, ca. ¼ omgang, ad gangen. Giv flammegeneratoren tid til at justere effekten til den nye indstilling (fig. 10).
Hovedpæren fungerer ikke, og der er ingen flammer eller røg.	Der er ikke vand i vandtanken.	<p>Følg anvisningerne under Vedligeholdelse, "Påfyldning af vandtanken".</p> <p>Kontroller stikket sidder korrekt i vægstikket og at "A" fig. 10 er slået til A).</p>